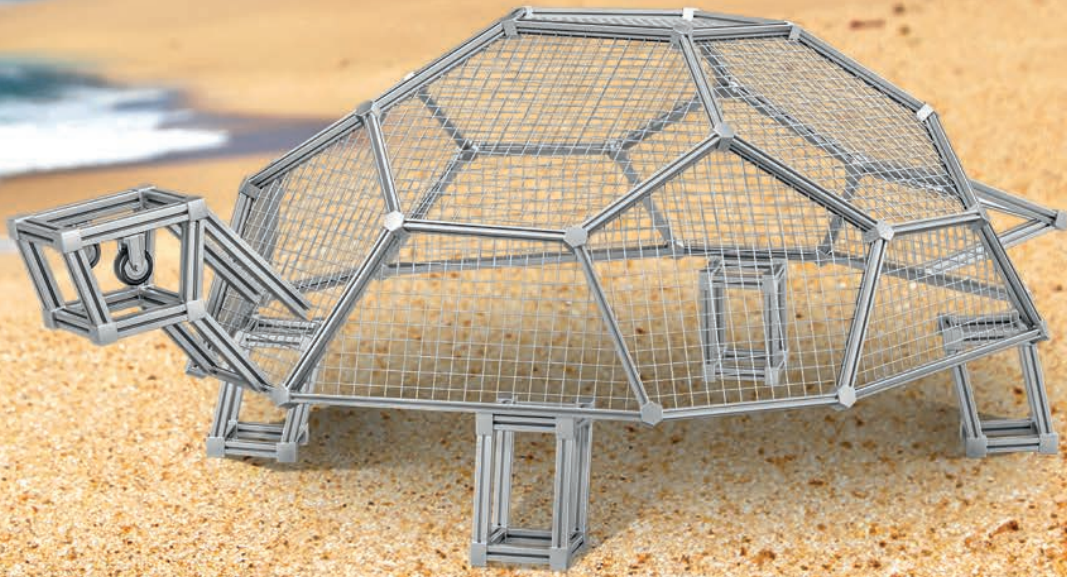


**EcoSafe – modular**

**components for safety fences**

**and safety enclosures**



# FRAME YOUR FACTORY

with the EcoSafe safety fence components from Bosch Rexroth

## Planning, erecting and adapting safety fences in an economic manner:

**The EcoSafe range with modular components for building safety fences and safety enclosures sets new standards when it comes to stability, flexibility and economy. Work to install new fences and extend existing ones can now be planned and carried out quickly.**

Safety fences can be found in nearly every factory. They serve as safety barriers for entire production lines or enclosures for individual machines. Regardless of the size of the system, however, one requirement applies: the protective equipment must be planned and built quickly and cost-effectively. Flexible conversion options are also required in variable production environments. And naturally the standards in force must be complied with at all times.

**Standard, fast, cost-effective:** The assembly and conversion from prefabricated protective frames is quick and cost-effective. Even **individual solutions** can be planned and achieved in a very short space of time. The components provide detailed performance data to support compliance with common **standards**.

The new generation of solutions seamlessly continues the 25-year success story of the EcoSafe modular system and remains fully compatible with the Rexroth aluminum modular profile system. The suspended panels or the newly introduced direct panels are designed to **save time and money** and can be assembled particularly quickly to form safety fences.

## NEW SAFETY FRAME PROFILE FOR SUSPENDED AND DIRECT PANELS



The further developed EcoSafe range is based on the new 22.5 x 45 mm frame profile. In the future, it will form the basis for the proven suspended panels and the newly introduced direct panels. Thanks to the space-saving 8 millimeter groove, the profile is also compatible with Bosch Rexroth's modular aluminum profile system, offering users a wide range of expansion options.

The direct panels are a new addition to the EcoSafe portfolio. They are made up of four frame profiles (22.5 x 45 mm) and an enclosed protective grille with welded wires. The vertical profiles of the frame are extended and at the same time serve as a leg set. Thanks to this simple design, gap-free safety fences can be erected in just a short time. The new direct panels complement the previous suspended panels and can also be supplied both assembled and for self-assembly.



# YOUR BENEFITS

## Economical and safe: The benefits of the new EcoSafe range

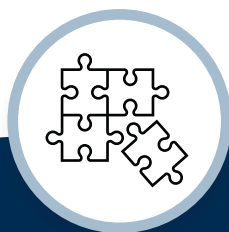
With the newly extended and improved EcoSafe range, stable safety fences can be put up even more quickly and flexibly in factories. Existing systems can be expanded and modernized individually. Digital planning tools and quick delivery times also help to speed up projects. This relieves time pressure and ultimately helps to ensure that the production facilities fenced off can go into operation safely and on time.



### Low-cost installation and alterations

With the pre-assembled direct panels, safety fences can be assembled and set up quickly. The extended frame profiles of two adjacent direct panels form the leg set and thus ensure the necessary stability.

The post profile which is used as a leg set in standard designs is no longer necessary, which makes the EcoSafe safety fence more cost-effective overall.



### Quickly assembled

Plugging is faster than screwing: the new direct panels can be plugged together with minimal effort. This saves about 25% of the assembly time.

Both, the new direct panels and the suspension panels can be delivered pre-assembled. The base plate is fastened to the floor with anchor bolts. This significantly reduces the workload, so that the assembly of the safety fences can be carried out on site with minimal effort.



### Better than the standard

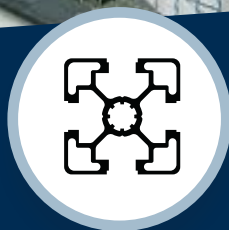
With the new EcoSafe components, the values required by the Machinery Directive can not only be met, but even exceeded. Due to the increased stability, the safety fence elements absorb significantly more energy than required by the standard.

Bosch Rexroth provides verified performance data. With these reliable calculation bases, the testing effort for the individual safety fence panels can be significantly reduced.



## Flexible

With the modular EcoSafe standard panels, safety fences of various sizes can be erected quickly and easily. The standard frame heights (2,000 mm including ground clearance) can be freely combined with configurable frame heights between 400 and 2,500 mm, the width is between 250 and 2,500 mm. The revised suspension brackets allow greater angle adjustments in the safety fence course. This allows for flexible and space-saving fencing.



## Individually expandable

For individual designs or for integration into applications of all kinds, additional components from the Rexroth modular aluminum profile system can be attached via the profile slot.

This compatibility sustainably allows a wide range of applications such as machine enclosures or integration into other areas of a plant that require protection.



## Online

Further information about the EcoSafe safety fence range including details such as technical data, product specifications, videos and documents can be found online.

# YOUR PLANNING



**Easy planning and design with the planning software MTpro**

With the free Engineering Software **MTpro** and the **MTpro Online Designer** which can be used from any location, Bosch Rexroth offers comprehensive design support.

As a result, designers can make quick progress during planning and make changes without having to draw everything.

In addition to quick planning, users benefit from automatic order list generation, the simple exchanging or printing of layout data and direct transfer to the Rexroth Online Shop or a partner company.



More information and downloads for MTpro can be found here:  
[www.boschrexroth.com/mtpro](http://www.boschrexroth.com/mtpro)

## COMPLIANCE WITH STANDARDS

Reliable planning of your protective equipment through compliance with all relevant standards and guidelines by the user, such as:

- EN ISO 12100 Safety of machinery
- EN ISO 13857 Safety of machinery - Safety distances to prevent hazard zones being reached by upper and lower limbs
- EN ISO 14120 Safety of machinery - Guards
- Relevant C standards (e.g. DIN EN 619)
- DIN\_4103-1 Internal non-load bearing partitions - Part 1: Requirements and verification
- Machinery Directive 2006/42/EC
- Applicable country-specific regulations

- ▶ **Testing and applying other normative requirements for special applications.**
- ▶ **Compliance with all prescribed safety distances.**

Protective equipment subject to standards must be validated and documented by the designer. The technical data in this catalog support the designer in the design and documentation.



# THE CORRECT DISTANCE



## Setting up safety distances

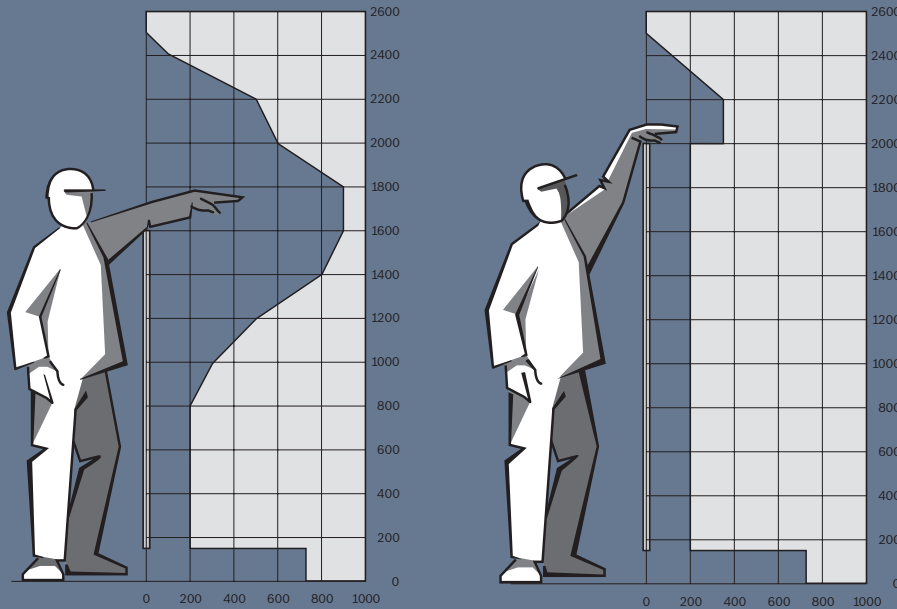
The safety distances depend on the height of the protective equipment and the openings in the protective grille. If spot-weld wire grilles with a mesh width of 40x40 are used, only a safety distance of 200 mm from the hazard area is required (persons aged 14 and older).

The standard fence height of 2000 mm provides adequate protection in conjunction with a relatively small safety distance. The graphics show a profile with the safety distances for 2 different system heights (DIN EN 13857).

The standard distance between the protective frame and the ground is 150 mm. This gives a distance from the hazard area of 665 mm for the lower limbs.

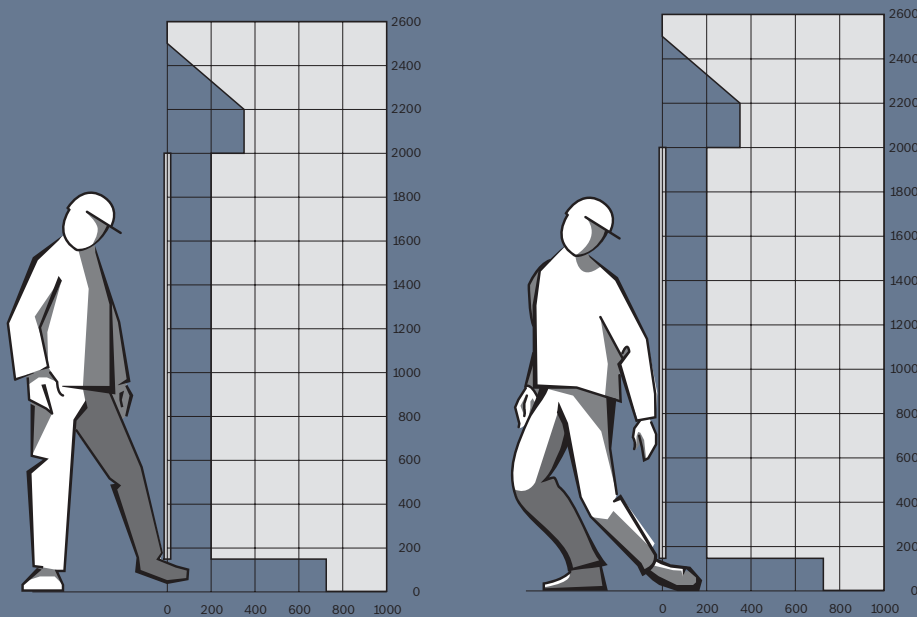
## SAFETY DISTANCES

Sample distances according to DIN EN ISO 13857 for the case: Passing over protective designs – Only minor injuries along with a low probability of occurrence.



## SAFETY DISTANCES WHERE THERE IS 150 MM GROUND CLEARANCE

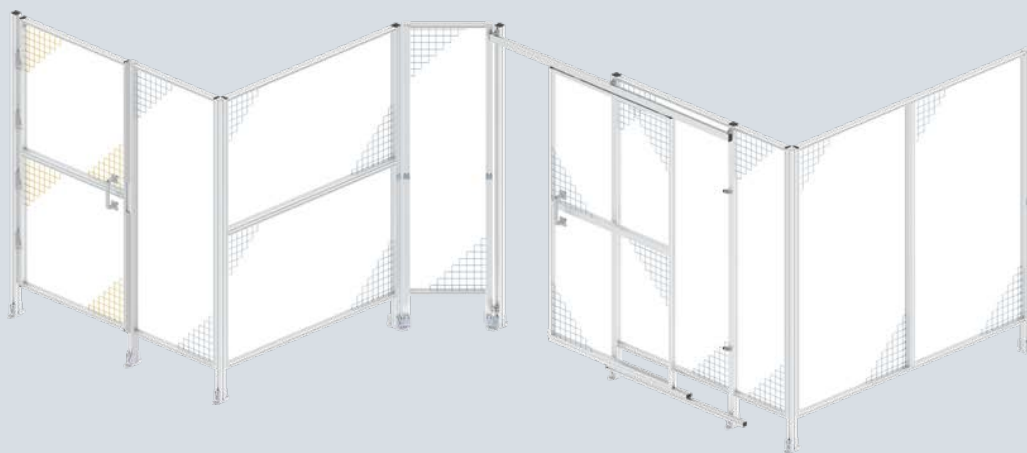
Sample distances according to DIN EN ISO 13857 to prevent free access of the lower limbs.

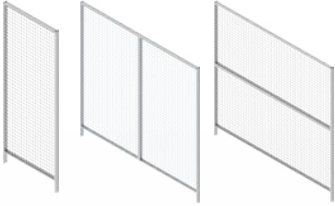
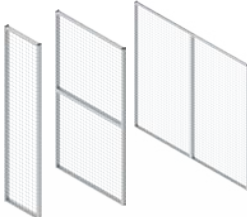

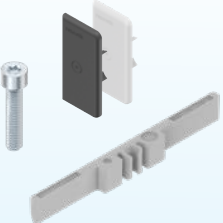
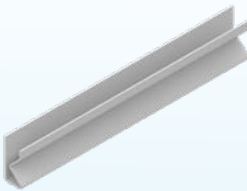

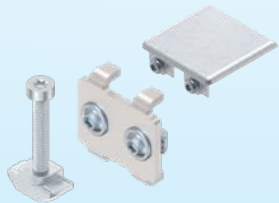

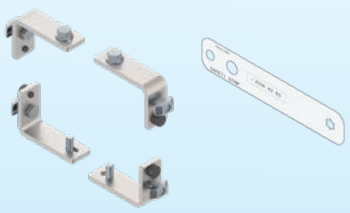
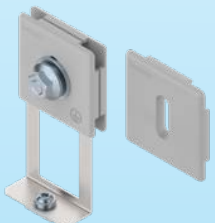
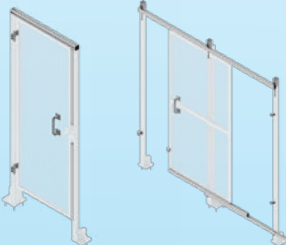
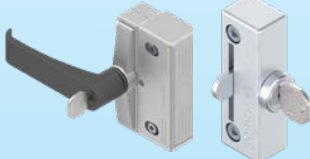

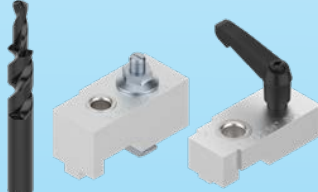


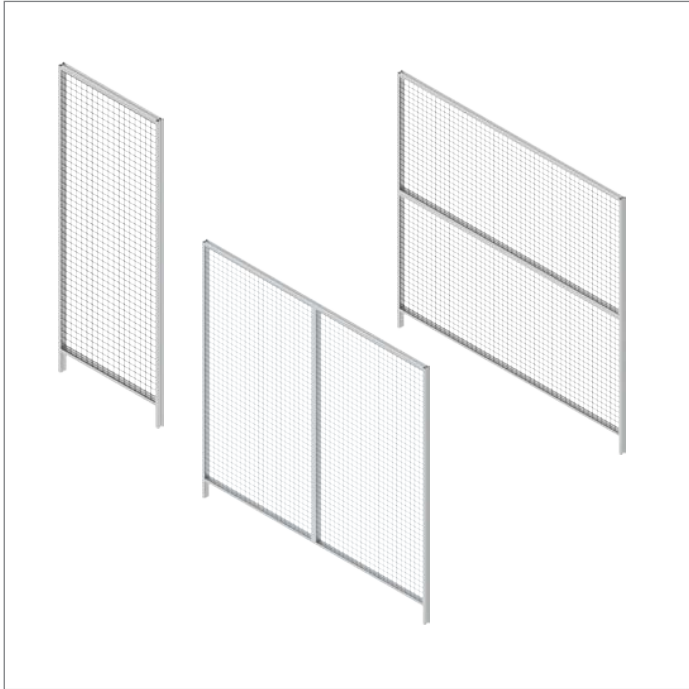
# PRODUCT OVERVIEW

**The modular EcoSafe components can be quickly and easily assembled to form safety fences. Our planning software MTpro provides helpful support.**

- ▶ **Few universally usable components**
- ▶ **Extendable with the modular aluminum profile system**
- ▶ **Mounted standardized protective frames**
- ▶ **Individual protective frame dimensions configurable**

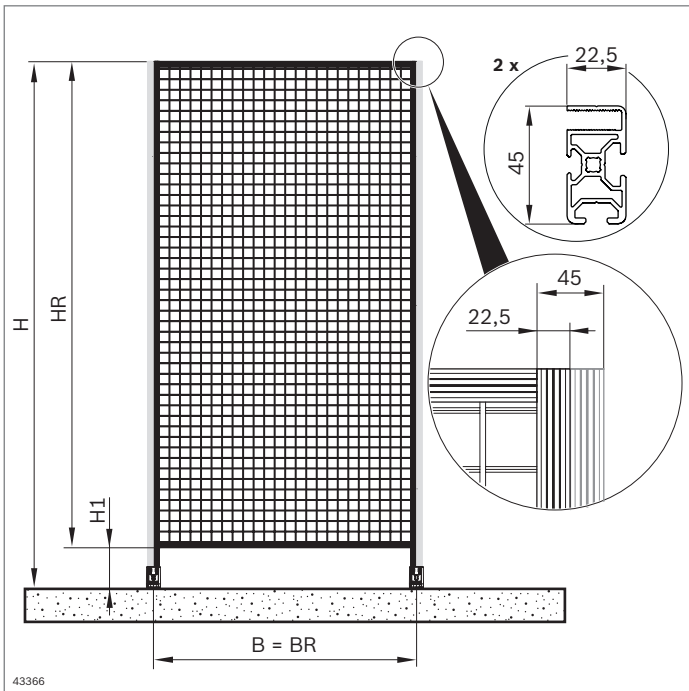


<p><b>Protective frame Direct panel</b></p>  <p>▶ 12</p>	<p><b>Protective frame Suspension panel</b></p>  <p>▶ 14</p>	<p><b>Frame profiles</b></p>  <p>▶ 16</p>
<p><b>Cover cap, screw PG Clamping piece PG</b></p>  <p>▶ 19</p>	<p><b>Clamping profile</b></p>  <p>▶ 20</p>	<p><b>Edge protector</b></p>  <p>▶ 21</p>
<p><b>Mounting cap, connection kit, mounting kit</b></p>  <p>▶ 22</p>	<p><b>Foot, washers, anchor bolt</b></p>  <p>▶ 24</p>	<p><b>Suspension bracket set, loss prevention</b></p>  <p>▶ 26</p>
<p><b>Clamping element Ground terminal</b></p>  <p>▶ 28</p>	<p><b>Door kits</b></p>  <p>▶ 29</p>	<p><b>Door locks</b></p>  <p>▶ 32</p>
<p><b>Attachment kits for safety switches</b></p>  <p>▶ 41</p>	<p><b>Tools</b></p>  <p>▶ 42</p>	



## Protective frame - Direct panel

- ▶ Direct panels can be assembled to form a safety fence without additional leg sets
- ▶ Protective frame made of frame profile 22.5 x 45
- ▶ With spot-weld wire grille 40 x 40 x 3.8
- ▶ Various colors available (galvanized, black, yellow)
- ▶ Fully assembled
- ▶ Easy installation via the foot. Single fitter is sufficient
- ▶ Horizontally and vertically divided protective frames provide additional stability for large surfaces
- ▶ Modular dimension "B" relates to the leg sets 22.5x45 (outer dimension)



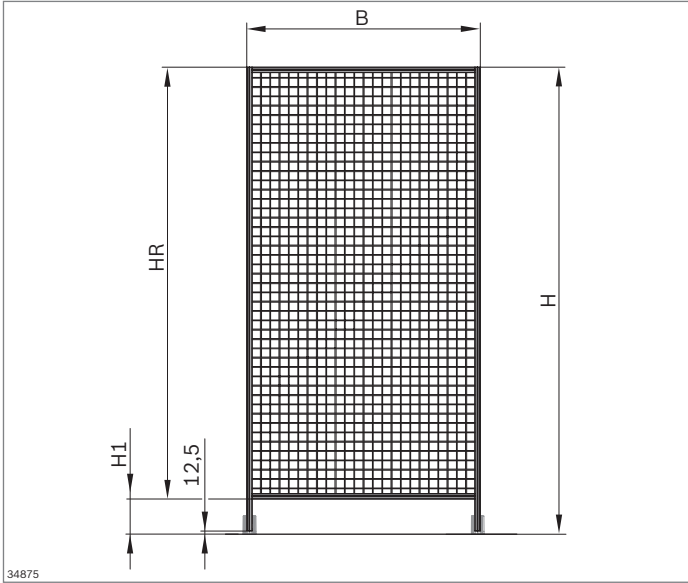
### System dimensions

**B = BR** = Frame width (left outer edge/right outer edge)

**HR** = Frame height (lower/upper edge of frame)

**H1** = Ground clearance (floor/bottom edge of frame)

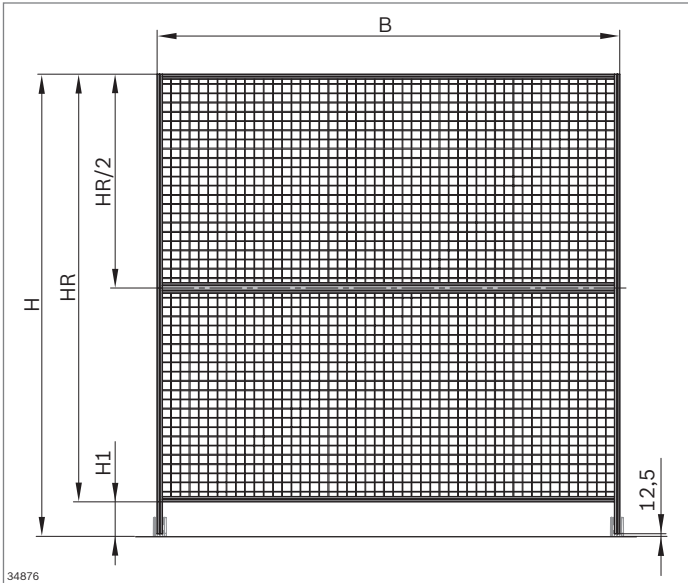
**H = HR + H1** (total height)



Direct panel	H (mm)	H1 (mm)	HR (mm)	B (mm)	No.
Galvanized	2000	150	1850	500	<b>3 842 567 902</b>
	2000	150	1850	750	<b>3 842 567 903</b>
	2000	150	1850	1000	<b>3 842 567 904</b>
	2000	150	1850	1500	<b>3 842 567 905</b>
Black	2000	150	1850	500	<b>3 842 567 906</b>
	2000	150	1850	750	<b>3 842 567 907</b>
	2000	150	1850	1000	<b>3 842 567 908</b>
	2000	150	1850	1500	<b>3 842 567 909</b>
100...250 200...2350 250...1500					<b>3 842 994 244</b> / HR, H1, B, FA

Material: Frame: anodized aluminum; Grid: hot-galvanized steel

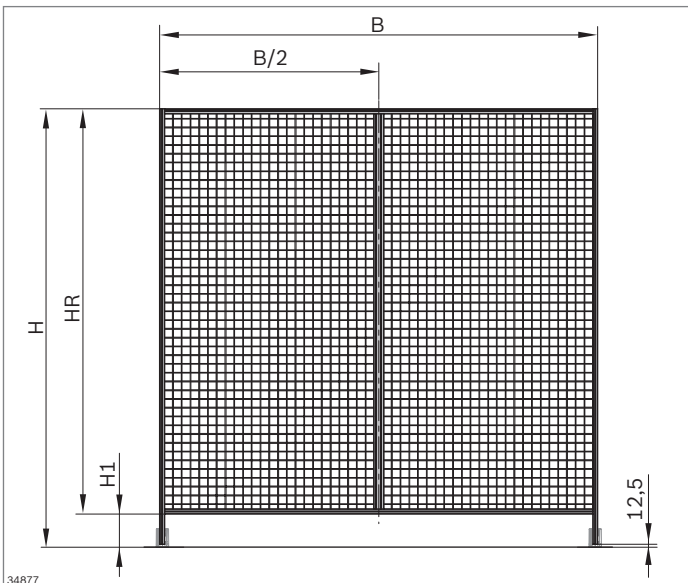
Color grid: FA = 0: hot-galvanized;  
FA = 1: black, RAL 9005; FA = 2: yellow, RAL 1023



Direct panel horizontally divided	H (mm)	H1 (mm)	HR (mm)	B (mm)	No.
Galvanized	2000	150	1850	2000	<b>3 842 567 910</b>
Black	2000	150	1850	2000	<b>3 842 567 911</b>
100...250 500...2350 500...2500					<b>3 842 994 245</b> / HR, H1, B, FA

Material: Frame: anodized aluminum; Grid: hot-galvanized steel

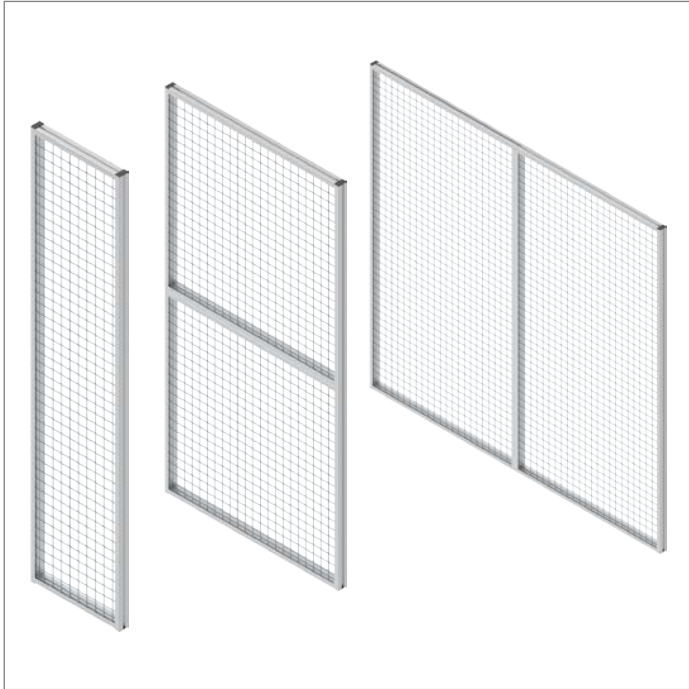
Color grid: FA = 0: hot-galvanized;  
FA = 1: black, RAL 9005; FA = 2: yellow, RAL 1023



Direct panel vertically divided	H1 (mm)	HR (mm)	B (mm)	No.
100...250 200...2350 500...2500				<b>3 842 994 246</b> / HR, H1, B, FA

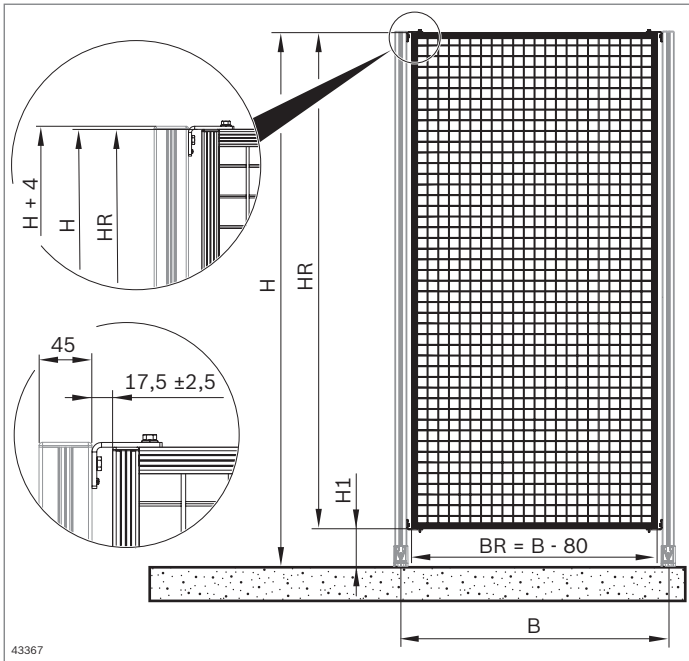
Material: Frame: anodized aluminum; Grid: hot-galvanized steel

Color grid: FA = 0: hot-galvanized;  
FA = 1: black, RAL 9005; FA = 2: yellow, RAL 1023



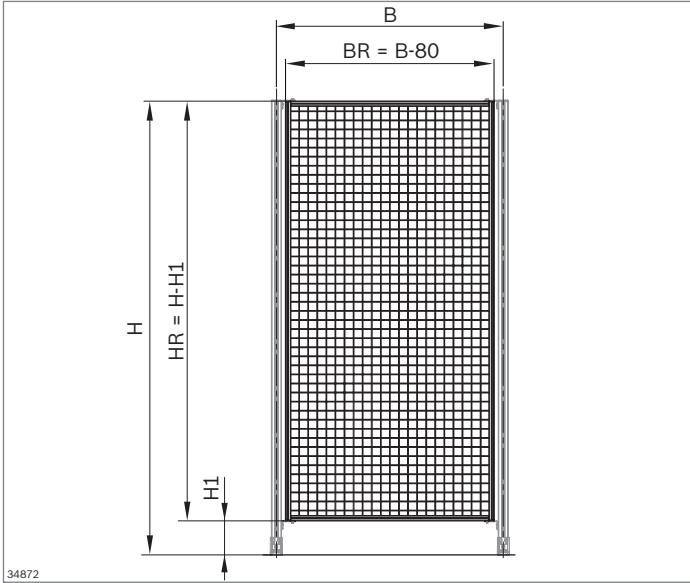
## Protective frame - Suspension panel

- ▶ Suspension panels are mounted between 2 posts using suspension brackets
- ▶ Protective frame made of frame profile 22.5 x 45
- ▶ With spot-weld wire grille 40 x 40 x 3.8
- ▶ Various colors available (galvanized, black, yellow)
- ▶ Fully assembled
- ▶ Easy assembly. Single fitter is sufficient
- ▶ Horizontally and vertically divided protective frames provide additional stability for large surfaces
- ▶ Suitable kits enable the construction of doors (system doors, sliding doors, double doors)
- ▶ Modular dimension "B" relates to the leg sets 45x45 (center of leg set - center of leg set)



### System dimensions

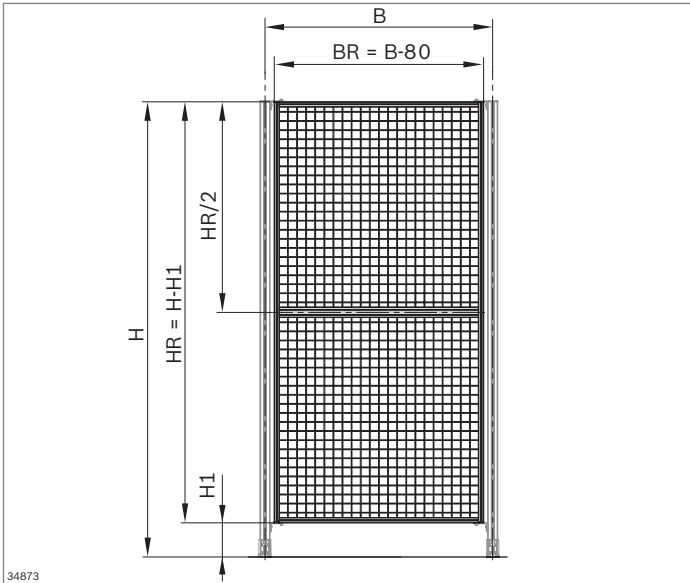
- B** = Center of leg set/center of leg set
- BR** = Frame width (left outer edge/right outer edge)
- HR** = Frame height (lower/upper edge of frame)
- H1** = Ground clearance (floor/bottom edge of frame)
- H** = (Total height)



Suspension panel	HR (mm)	B (mm)	No.
Galvanized	1850	500	<b>3 842 567 945</b>
	1850	750	<b>3 842 567 946</b>
	1850	1000	<b>3 842 567 947</b>
	1850	1500	<b>3 842 567 948</b>
Black	1850	500	<b>3 842 567 949</b>
	1850	750	<b>3 842 567 950</b>
	1850	1000	<b>3 842 567 951</b>
	1850	1500	<b>3 842 567 952</b>
	250...2350	250...1500	<b>3 842 994 247 / HR, B, FA</b>

Material: Frame: anodized aluminum; Grid: hot-galvanized steel

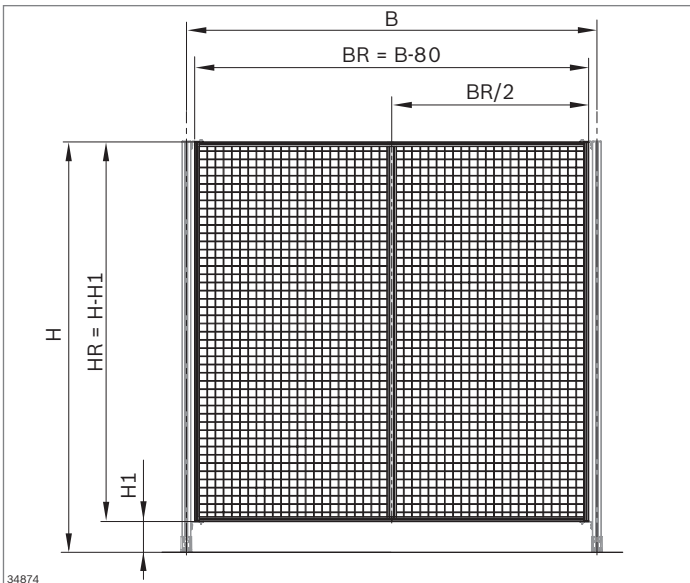
Color grid: FA = 0: hot-galvanized;  
FA = 1: black, RAL 9005; FA = 2: yellow, RAL 1023



Suspension panel	HR (mm)	B (mm)	No.
<b>horizontally divided</b>			
Galvanized	1850	1000	<b>3 842 567 953</b>
Black	1850	1000	<b>3 842 567 954</b>
	500...2350	500...2500	<b>3 842 994 248 / HR, B, FA</b>

Material: Frame: anodized aluminum; Grid: hot-galvanized steel

Color grid: FA = 0: hot-galvanized;  
FA = 1: black, RAL 9005; FA = 2: yellow, RAL 1023



Suspension panel	HR (mm)	B (mm)	No.
<b>vertically divided</b>			
Galvanized	1850	2000	<b>3 842 567 955</b>
Black	1850	2000	<b>3 842 567 956</b>
	250...2350	500...2500	<b>3 842 994 249 / HR, B, FA</b>

Material: Frame: anodized aluminum; Grid: hot-galvanized steel

Color grid: FA = 0: hot-galvanized;  
FA = 1: black, RAL 9005; FA = 2: yellow, RAL 1023



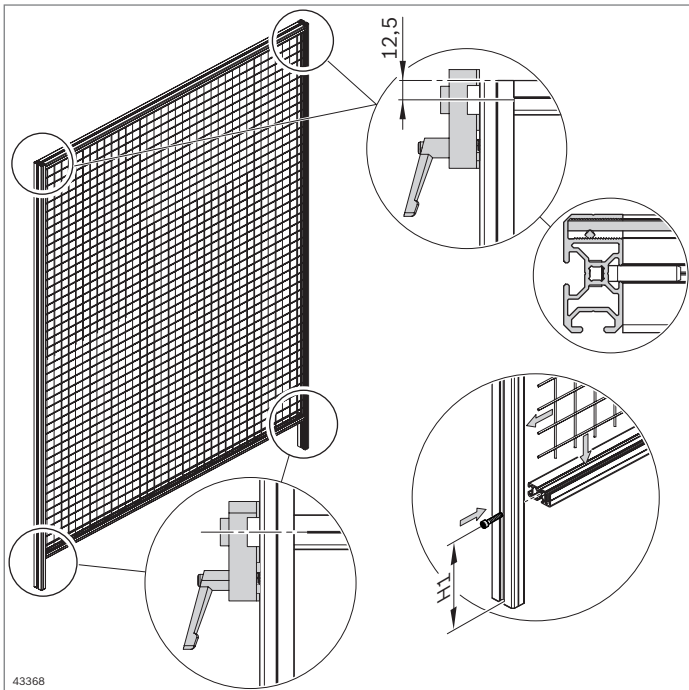
## Frame profiles

- ▶ For the low-cost assembly of protective frames with spot-weld wire grille 40 x 40 x 3.8 (optional woven wire grille WG40 or panel elements)
- ▶ Fastening of welded and woven wire grilles: Directly in the special profile slot
- ▶ Fastening of panel elements: In the special profile slot using clamping profiles (accessories)

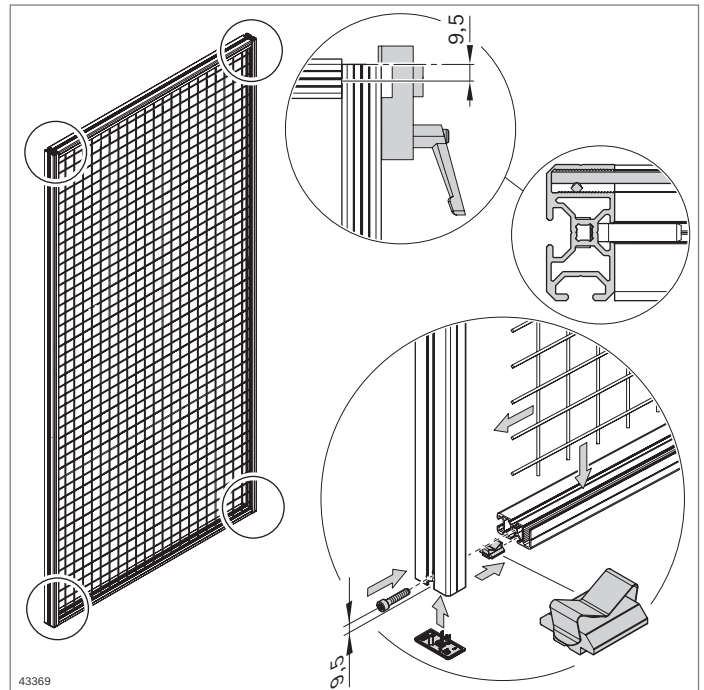
Required accessories:

- ▶ Connection screw (page 19)
- ▶ Clamping piece PG 8 x 10 x 90 (page 19)
- ▶ Clamping profile (page 20)
- ▶ For suspension panels: Sliding block and spring (page 19)

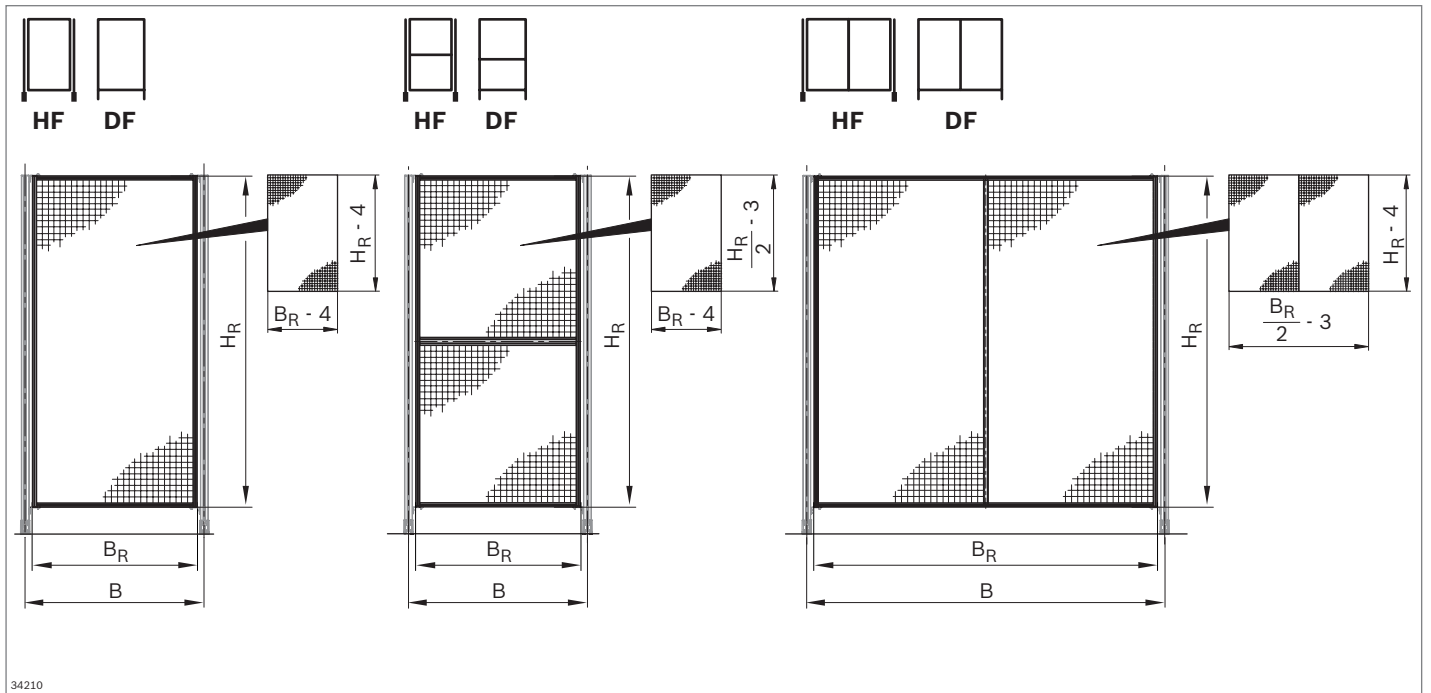
### Direct panel (D F) installation



### Suspension panel (H F) installation



**Cut-to size spot-weld wire grill e 40 x 40 x 3.8 and w oven wire grill e 40 x 40 x 4**

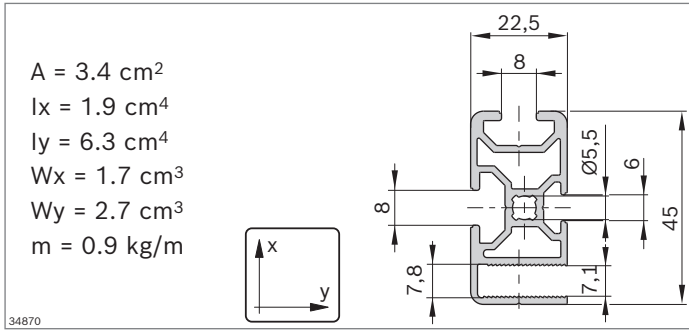


**System dimensions**

**B** = Center of leg set/center of leg set

**BR** = Frame width (left outer edge/right outer edge)

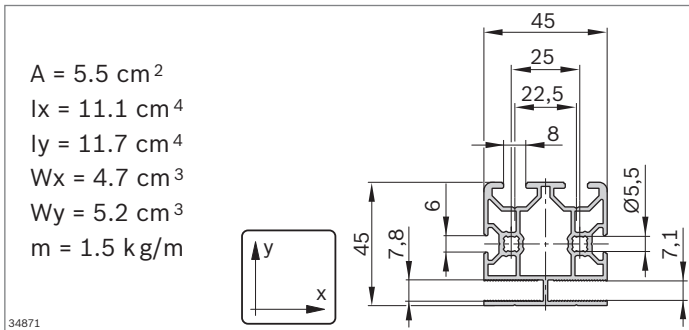
**HR** = Frame height (lower/upper edge of frame)



► For frame construction of protective frames

Frame profile	L (mm)	No.
<b>22.5x45</b>		
1 pc	100...6000	<b>3 842 994 232 / L</b>
1 pc	6070	<b>3 842 564 812</b>
24 pcs	6070	<b>3 842 564 813</b>

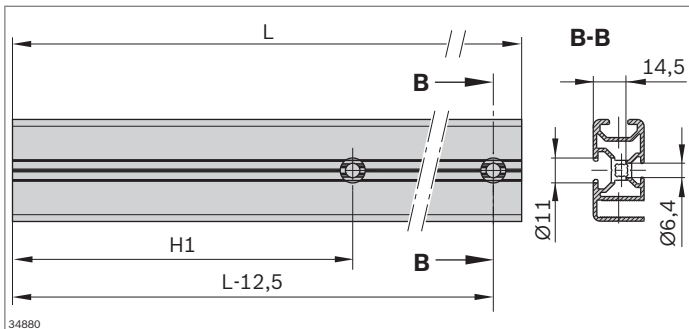
Material: aluminum, anodi zed



► For central stiffening of divided protective frames

Frame profile	L (mm)	No.
<b>45x45</b>		
1 pc	100...6000	<b>3 842 994 236 / L</b>
1 pc	6070	<b>3 842 564 821</b>
20 pcs	6070	<b>3 842 564 824</b>

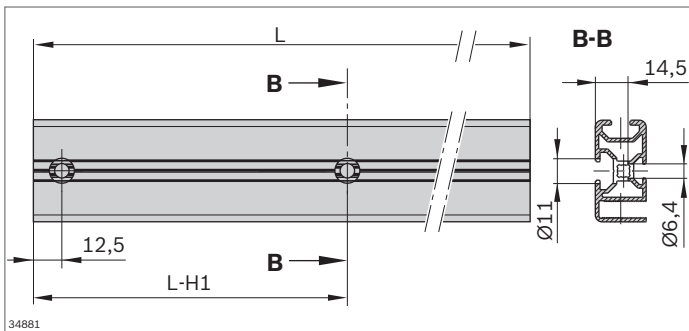
Material: aluminum, anodi zed



► For direct panel (DF) vertical frame profile left

Frame profile	L (mm)	No.
<b>22.5x45</b>		
DF 1 pc	100...5040	<b>3 842 994 233 / L</b>

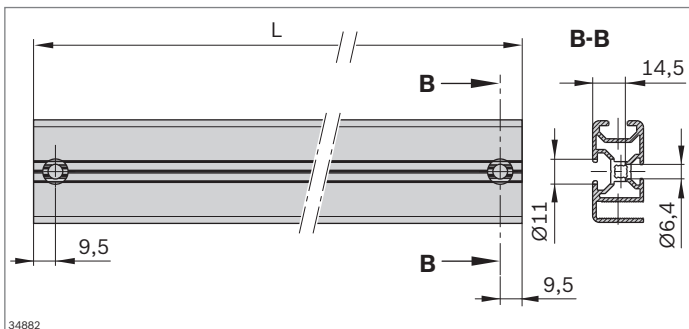
Material: aluminum, anodi zed



► For direct panel (DF) vertical frame profile right

Frame profile	L (mm)	No.
<b>22.5x45</b>		
DF 1 pc	100...5040	<b>3 842 994 234 / L</b>

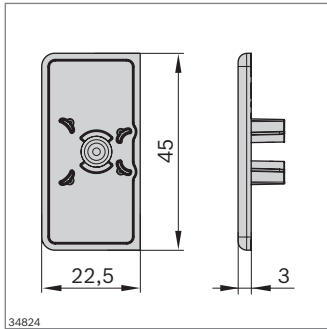
Material: aluminum, anodi zed



► For suspension panel (HF) vertical frame profiles left/right

Frame profile	L (mm)	No.
<b>22.5x45</b>		
HF 1 pc	100...5040	<b>3 842 994 235 / L</b>

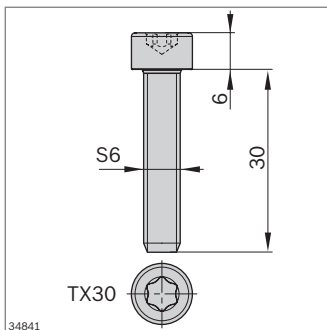
Material: aluminum, anodi zed



- Cover cap as a design element and to prevent injuries

Cover cap	Color	ESD	☒	No.
22.5x45	Signal gray		20	<b>3 842 564 818</b>
	Black	⚡	20	<b>3 842 564 819</b>

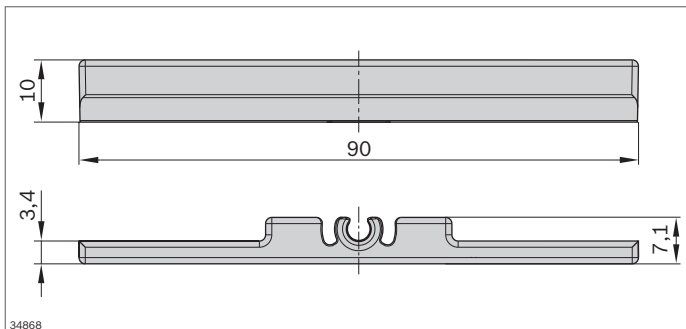
Material: PP



- Screw for corner connection of protective frame (DF+HF)
- Connection element for assembly of protective frame with frame profiles 22.5x45 or 45x45
- Required profile finishing: stepped drilling M6
- Accessories: Drilling template: 3842567976

Screw S6x30 PG	ESD	☒	No.
	⚡	100	<b>3 842 567 978</b>

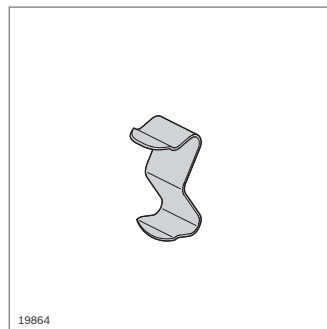
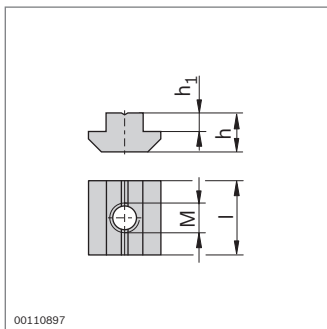
Material: PP



- Prevents clearance of the welding grid 40x40x3.8 in the special groove of the frame profile 22.5x45 and 45x45, if wire can only be inserted in one layer.

Clamping piece PG	ESD	☒	No.
	⚡	100	<b>3 842 571 958</b>

Material: PP, signal gray



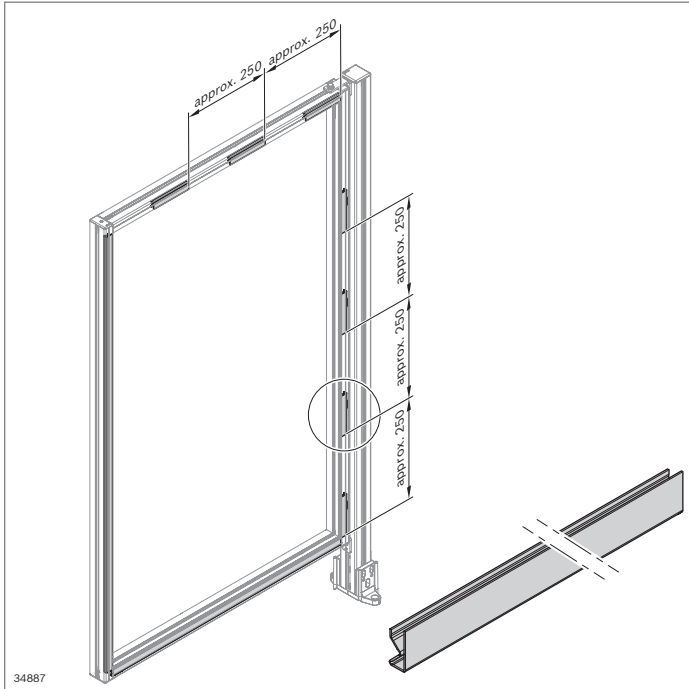
- Used to fasten the suspension brackets in the suspension panel

Sliding block	Slot M	h (mm)	h <sub>1</sub> (mm)	l (mm)	☒	No.
	8 M6	6.0	2.0	16	100	<b>3 842 514 930</b>

Material: steel, galvanized

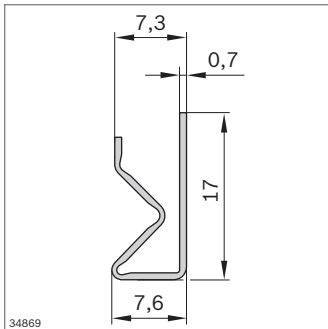
Spring	Slot	☒	No.
	8	100	<b>3 842 516 685</b>

Material: Spring steel, non-rusting



### Clamping profile

- ▶ For zero-clearance installation of panel elements in the special slot of frame profiles
- ▶ For panel elements with a thickness of 2 mm to 5 mm
- ▶ Enclosure over the entire outer edge or partially possible



Clamping profile PG	L (mm)	No.
20	2000	3 842 567 975

Material: PP

Color: Signal gray (RAL7004)

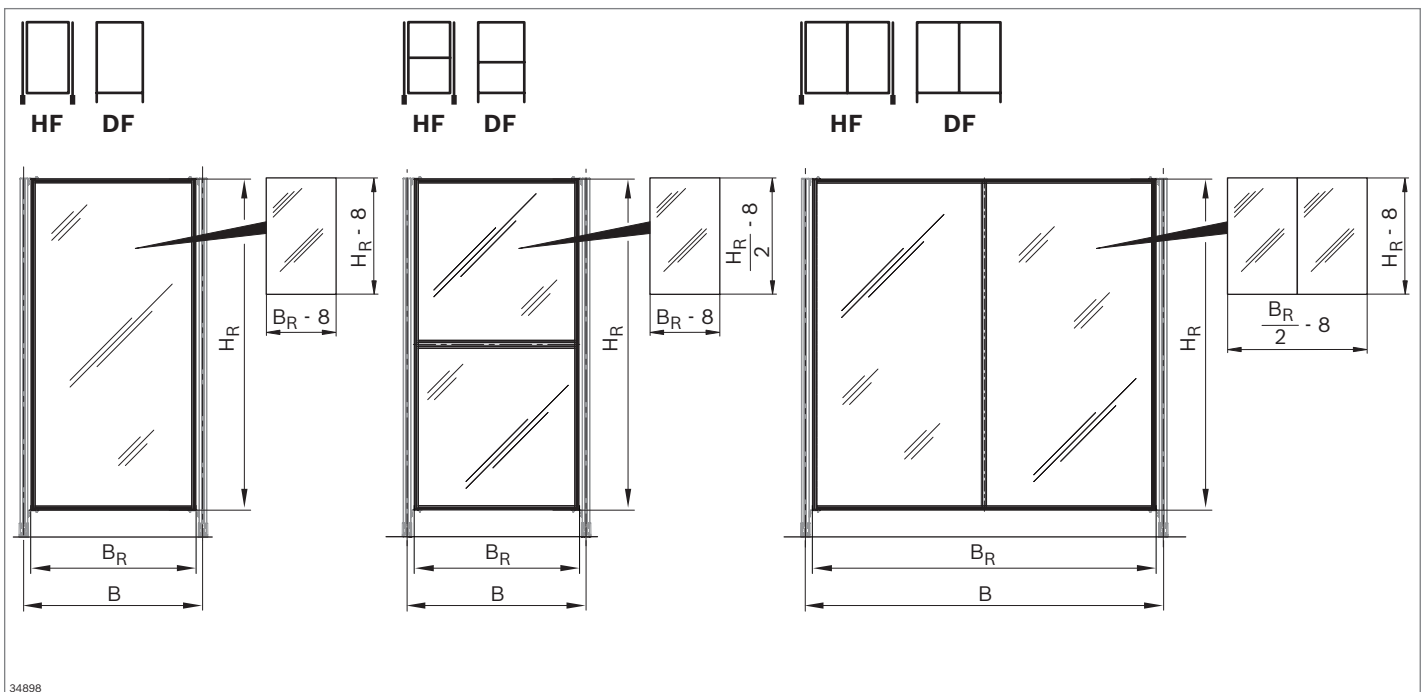
### System dimensions

**B** = Center of leg set/center of leg set

**BR** = Frame width (left outer edge/right outer edge)

**HR** = Frame height (lower/upper edge of frame)

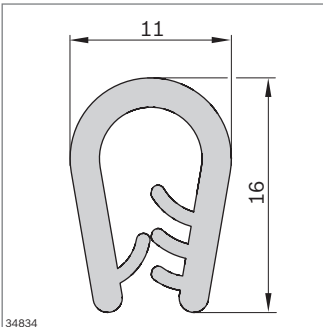
### Cut-to-size panel elements





## Edge protector

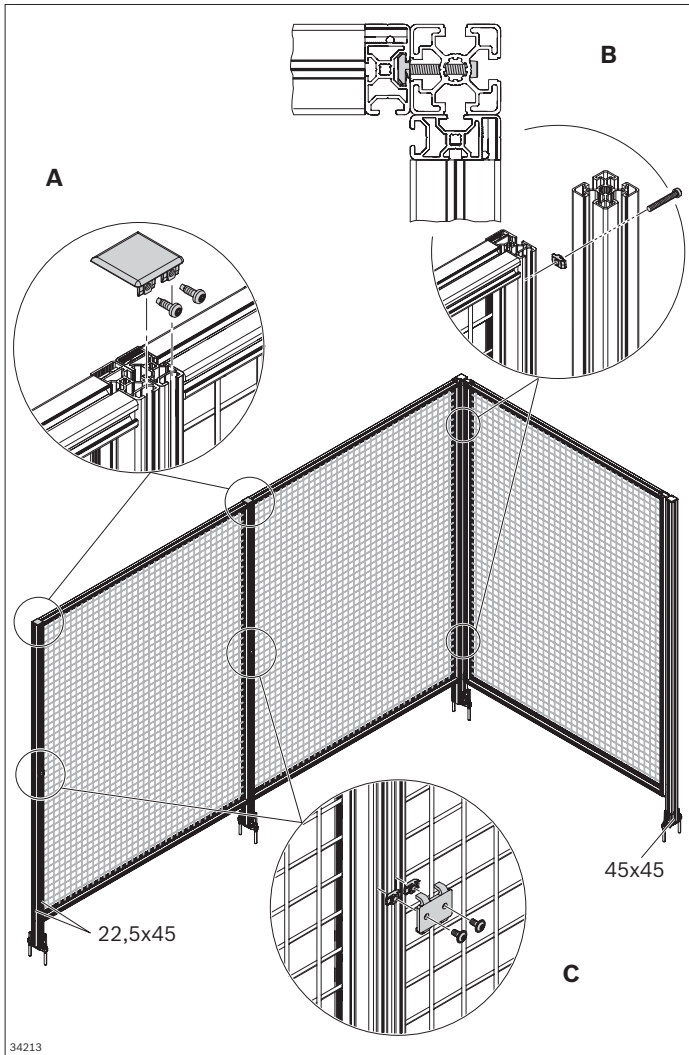
- ▶ For covering edges and wires in cutouts in the protective frame
- ▶ For panel elements and grilles with a thickness of 2 mm to 5 mm



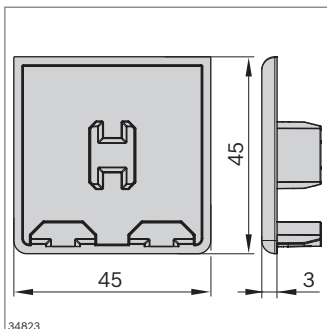
Edge protector	L (mm)	No.
	10000	<b>3 842 567 937</b>

Material: PVC with metal clamp band

Color: Black



34213



34823

## Mounting cap, connection kit, mounting kit



- A** Mounting cap
- B** Connection kit
- C** Mounting kit

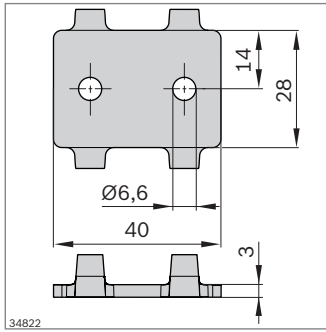
- ▶ For connecting two direct panels or frame profiles 22.5x45
- ▶ Also serves as cover cap
- ▶ Mounting via self-tapping screws (included in scope of delivery)

<b>Mounting cap</b>	<b>ESD</b>		<b>No.</b>
<b>45x45 SET</b>			

10 **3 842 564 817**

Material: Cap: diecast zinc; fastening material: steel, galvanized

Scope of delivery: Incl. fastening material

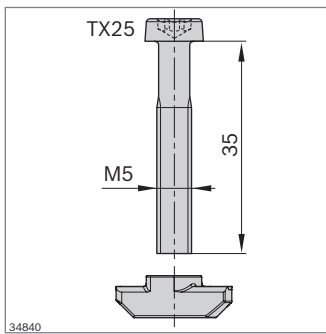


- ▶ For direct panels
- ▶ Optional element to join parallel frame profiles or direct panels (optional)
- ▶ For frame profile 22.5x45

Connection kit DF	Slot	ESD	🗑️	No.
	8	⚠️	10	<b>3 842 564 823</b>

Material: bracket: aluminum, anodized; fastening material: steel, galvanized

Scope of delivery: Incl. fastening material



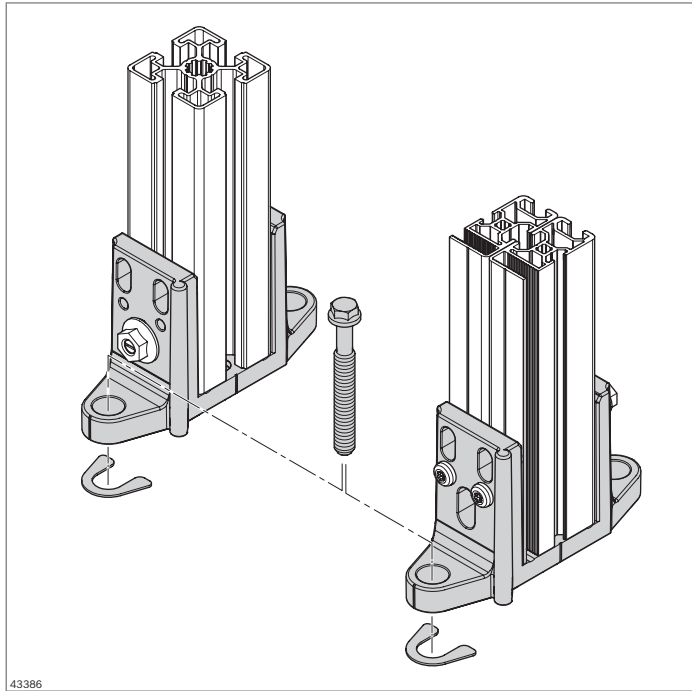
- ▶ For parallel connection of a 22.5x45 f frame profile to a 10 mm profile slot leg set
- ▶ Transition of EcoSafe direct panel to leg set
- ▶ Solution for corner with 90 degrees or transition to EcoSafe system doors
- ▶ Profile finishing of the leg set required: stepped drilling Ø5.5-9x22

Accessories, recommended:

- ▶ Drilling template 3842567969; step drill 3842567968

10 DF mounting kit	Slot	ESD	🗑️	No.
	10	⚠️	20	<b>3 842 571 959</b>

Material: steel, galvanized



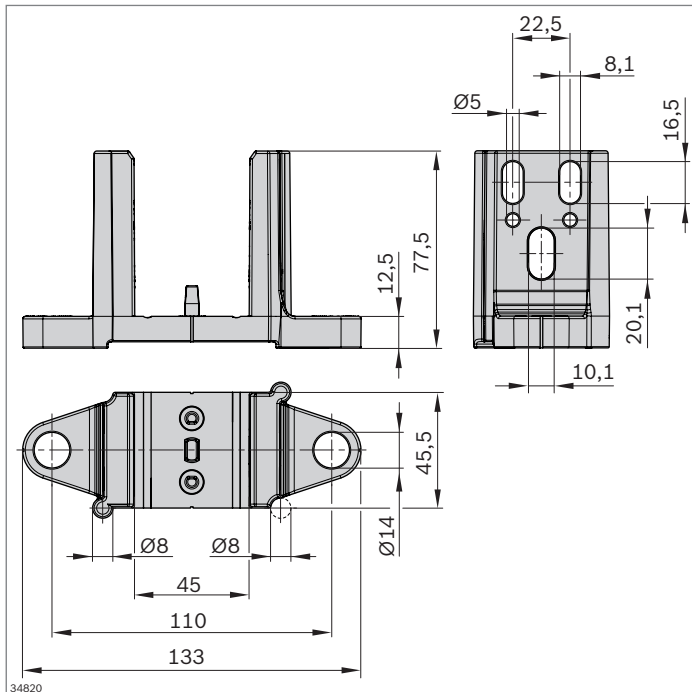
## Foot



- ▶ For anchoring leg sets to the ground
- ▶ Fastening with only 2 concrete screws or dowels to the floor
- ▶ Hinge function for angular adjustment from 0-45 degrees for direct panels
- ▶ For frame profile 22.5x45 or s trut profile 45x45, 45x45L

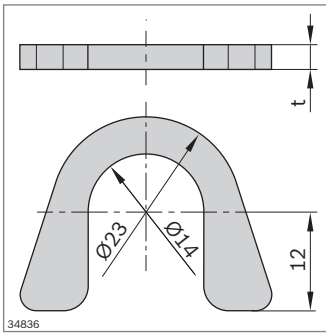
### Accessories, recommended:

- ▶ Frame profile fastening 22.5x45: 1x self-tapping screw 3842567970; 1x T-bolt M5x20 3842523921; 1x flange nut 3842523925
- ▶ Strut profile fastening 45x45, 45x45L: 2x T-bolt M8x30 3842528721; 2x flange nut 3842345081
- ▶ No profile finishing required



Foot 45x45	ESD	Slot	No.
		8,10	3 842 564 814

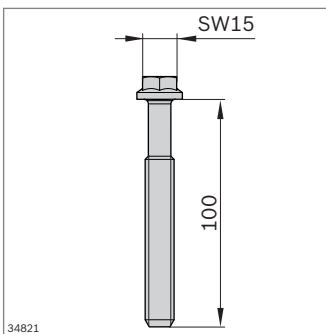
Material: diecast zinc



- ▶ Washer to compensate for uneven floors
- ▶ Adapted to contour of foot 45x45

Washer	Ø (mm)	t (mm)	ESD	No.
	23	1		100 <b>3 842 564 830</b>
	23	3		100 <b>3 842 564 831</b>

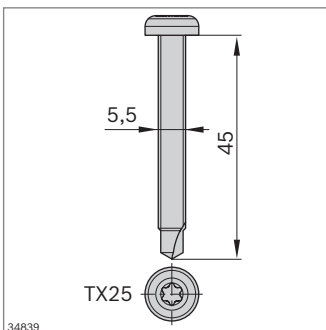
Material: stainless steel



- ▶ To anchor the foot to the ground
- ▶ Mechanical tightening with impact wrench
- ▶ Adjustability of attachment up to 2 times after assembly possible
- ▶ For cracked and non-cracked concrete

Anchor bolt	ESD	No.
<b>SW15-10x100</b>		100 <b>3 842 564 815</b>

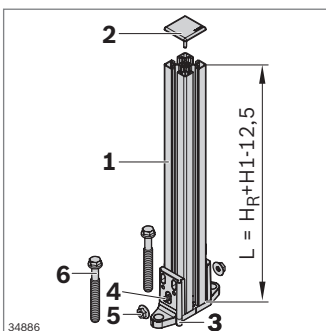
Material: steel, galvanized



- ▶ Self-tapping screw for fastening frame profile 22.5x45 in the foot 45x45 on the closed side

Self-tapping screw ZE, PI 5, 5x45	ESD	No.
		100 <b>3 842 567 970</b>

Material: steel, galvanized

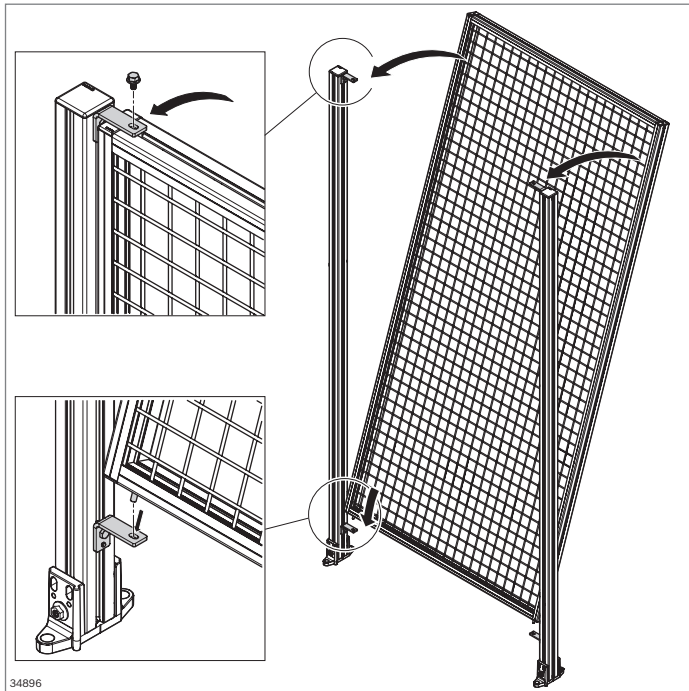


## EcoSafe – Leg set

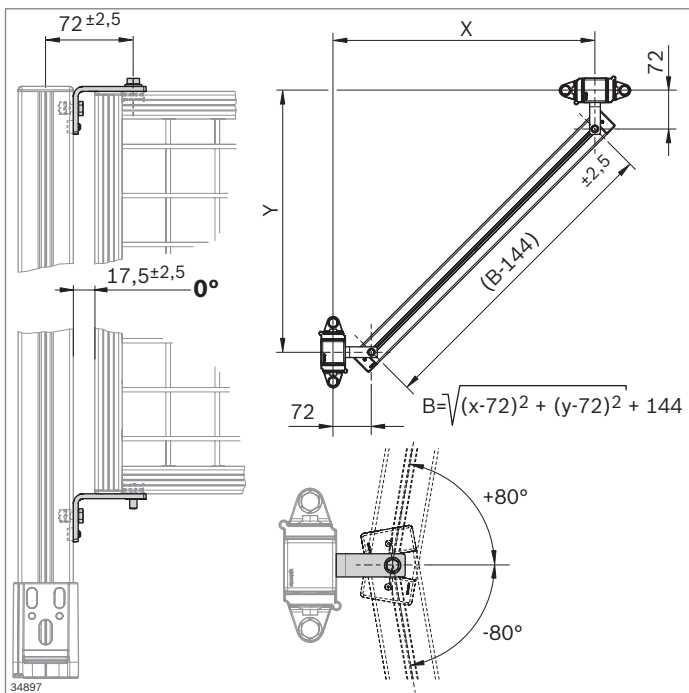
- ▶ Leg set as a component for suspension panels, doors and safety fence systems
- ▶ For corner connections of two panels

Individually construct the leg sets using standard components.

Components	Pcs	No.	Page
1 Profile 45x45L	1	<b>3 842 992 425 / L</b>	....
2 Cover cap 45x45, ESD	1	<b>3 842 548 753</b>	....
3 Foot 45x45	1	<b>3 842 564 814</b>	....
4 T-bolt M8x25	2	<b>3 842 528 718</b>	....
5 Flange nut M8	2	<b>3 842 345 081</b>	....
6 Anchor bolt SW15-10x100	2	<b>3 842 564 815</b>	....



### Suspension bracket set, Safety Strip loss prevention

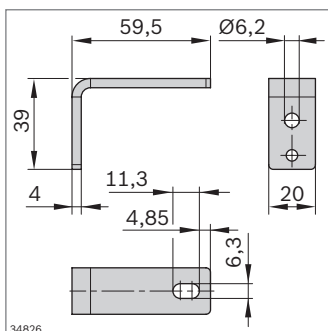


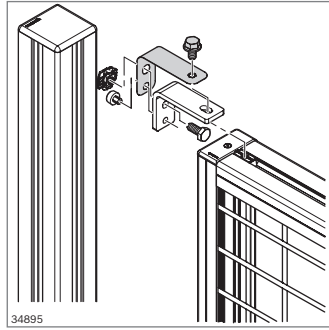
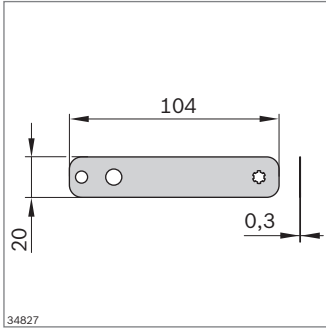
- ▶ Set consists of 4 brackets for installation of one suspension field (incl. fastening material)
- ▶ For easy installation of the suspension panel at the leg set at various angles or straight
- ▶ Suspension bracket with centering lugs as anti-torsion element
- ▶ Meets the requirements of the Machinery Directive 2006/42/EC via optional Safety Strip for maintenance fields

Suspension bracket HF SET	ESD		No.
		1	3 842 567 942

Material: bracket: steel, galvanized; fastening material: steel, galvanized

Scope of delivery: Incl. fastening material





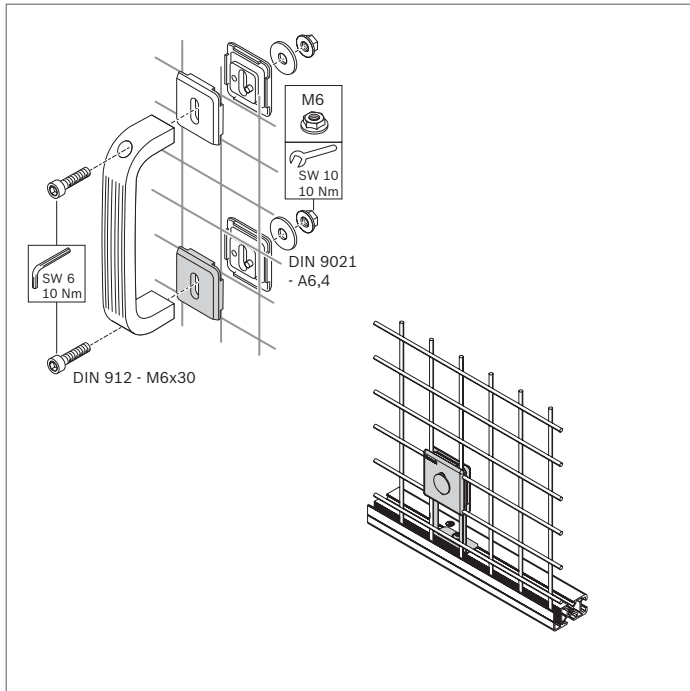
- ▶ Loss prevention for the fastening screw of EcoSafe suspension fields
- ▶ Easy assembly; can be retrofitted
- ▶ Meets the Machinery Directive 2006/42/EC: Screw remains connected to the suspension bracket after loosening

**Loss prevention**  
**Safety Strip HF**

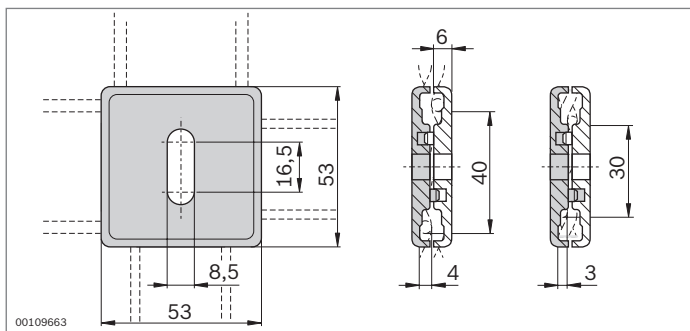
 **No.**

100 **3 842 567 935**

Material: PC, translucent



## Clamping element Ground terminal

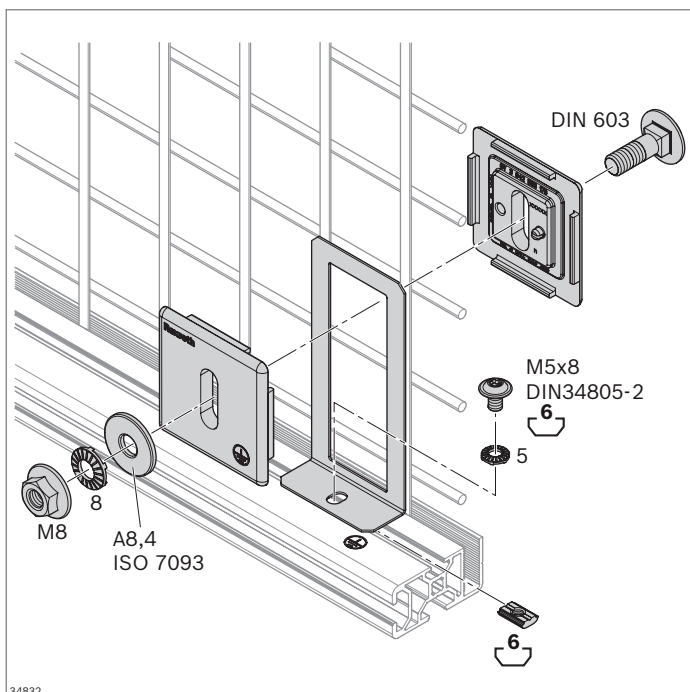


- ▶ Clamping element for attaching handles, information boards or warning signs to woven wire grilles 40x40x4, 30x30x3 and spot-weld wire grille 40x40x3.8
- ▶ Clamping with opposing pairs of clamping elements

Clamping element WG30 WG40	ESD	No.
	20	3 842 555 178

Material: PA66

Color: Signal gray (RAL7004)

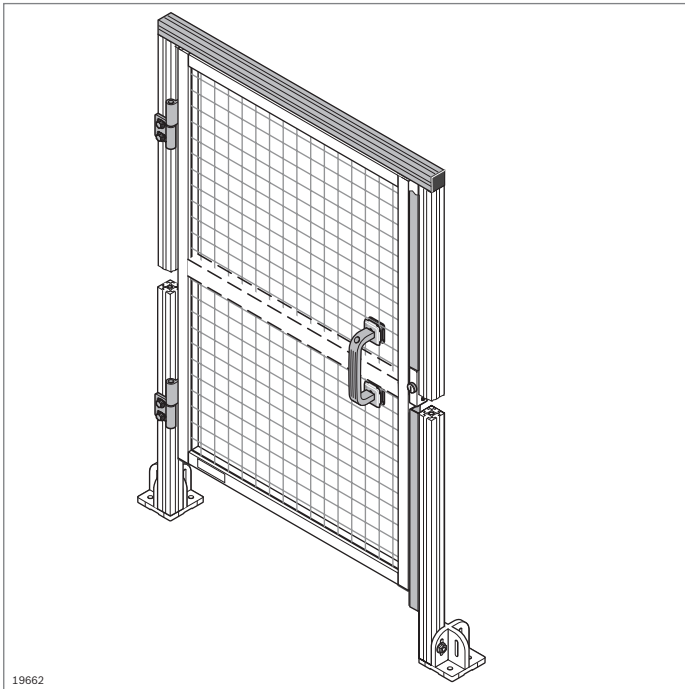


- ▶ Grounding element for making an electrically conductive connection between WG40 woven wire grille or 40x40x3.8 spot-weld wire grille and protective frame
- ▶ Guarantees safe conduction of short-circuit currents up to a rated current of 63 A

Ground terminal EcoSafe PG	ESD	No.
	6	3 842 567 957

Material: ground terminal: Steel, non-rusting; Clamping element: PA, signal gray; fastening material: Steel, galvanized

Scope of delivery: Incl. fastening material



19662

## EcoSafe - System door kit

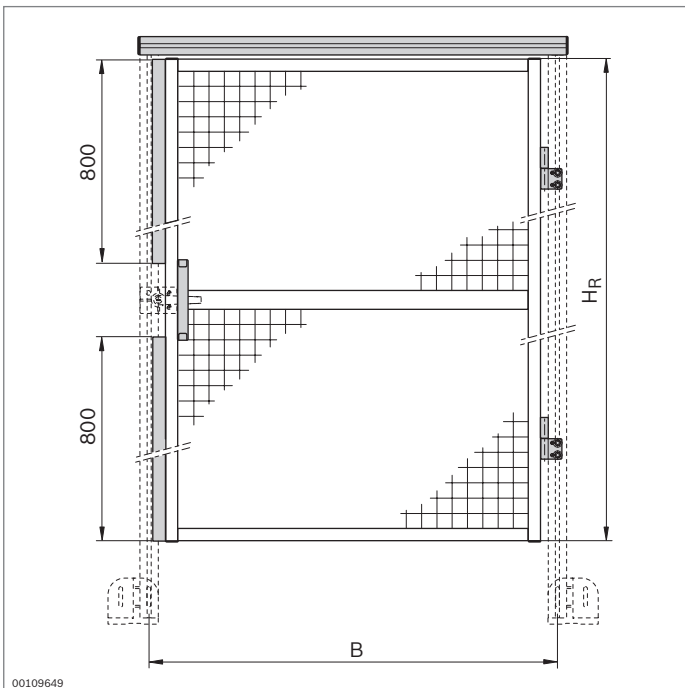
- ▶ For setting up an EcoSafe swing door
- ▶ Use of finished protective frame as a door
- ▶ For doors that open to the left or right

Required components:

- ▶ Assembly kit for system door
- ▶ Protective frame

Optional accessories:

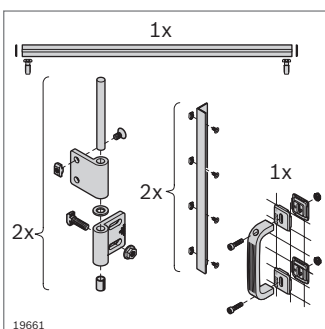
- ▶ Door lock
- ▶ Adapter plate
- ▶ Attachment kit for safety switch
- ▶ Base plate 120x120 (3 842 527 553) with leg set 45x90L profiles



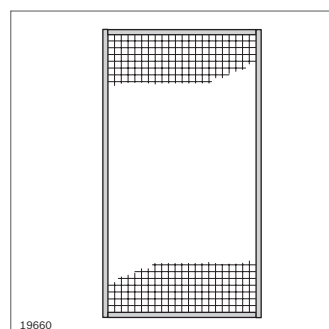
00109649

Assembly kit for system door	H <sub>R</sub> (mm)	B (mm)	No.
	1850	750	<b>3 842 523 165</b>
	1850	1000	<b>3 842 523 166</b>

Scope of delivery: 2 x hinge, 2 x stop rail, profile as door lintel, strap-shaped handle, incl. fastening material



19661

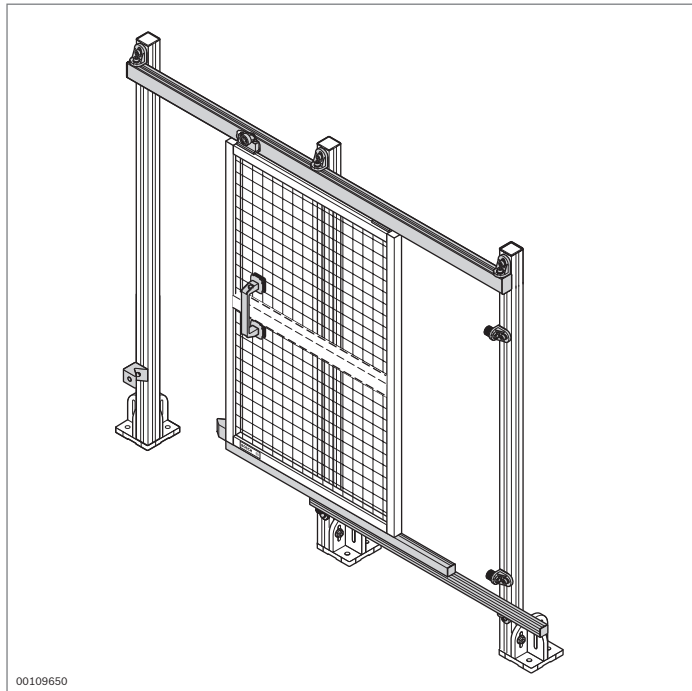


19660

## Selection of suitable protective frames

Protective frame	H <sub>R</sub> (mm)	B (mm)	No.
Protective frame HF, galvanized	1850	750	<b>3 842 567 946</b>
Protective frame HF, black	1850	750	<b>3 842 567 950</b>
Protective frame HF <sup>1)</sup> , galvanized	1850	1000	<b>3 842 567 953</b>
Protective frame HF <sup>1)</sup> , black	1850	1000	<b>3 842 567 954</b>

<sup>1)</sup> horizontally divided



## EcoSafe - Assembly kit for sliding door with superstructure

- ▶ Kit for setting up an EcoSafe sliding door
- ▶ Use of finished protective frame as a door
- ▶ Easy subsequent installation in a safety fence
- ▶ Rollers with ball bearings for smooth running
- ▶ For doors that open to the left or right

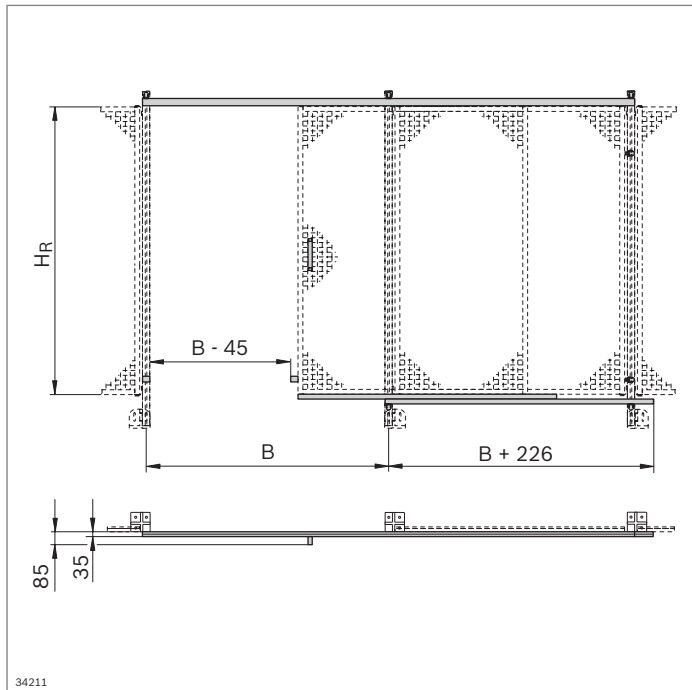
Required components:

- ▶ Sliding door kit
- ▶ Protective frame

Optional accessories:

- ▶ Door lock
- ▶ Adapter plate
- ▶ Base plate 120x120 (3 842 527 553) with leg set from 45x90L profiles

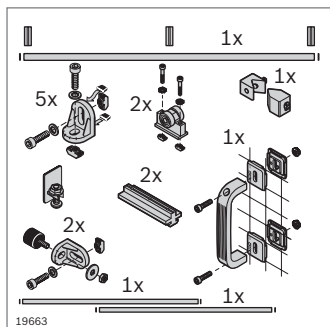
00109650



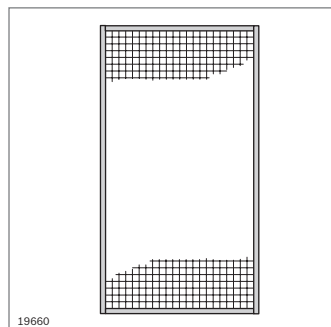
34211

Sliding door kit	H <sub>R</sub> (mm)	B (mm)	No.
	1850	1000	<b>3 842 524 163</b>
	1850	1500	<b>3 842 524 164</b>

Scope of delivery: 2 x bumper; 2 x slider; 2 x trolley; profile for door superstructure; 7 x mounting bracket; stop kit, 2 x profile for sliding door



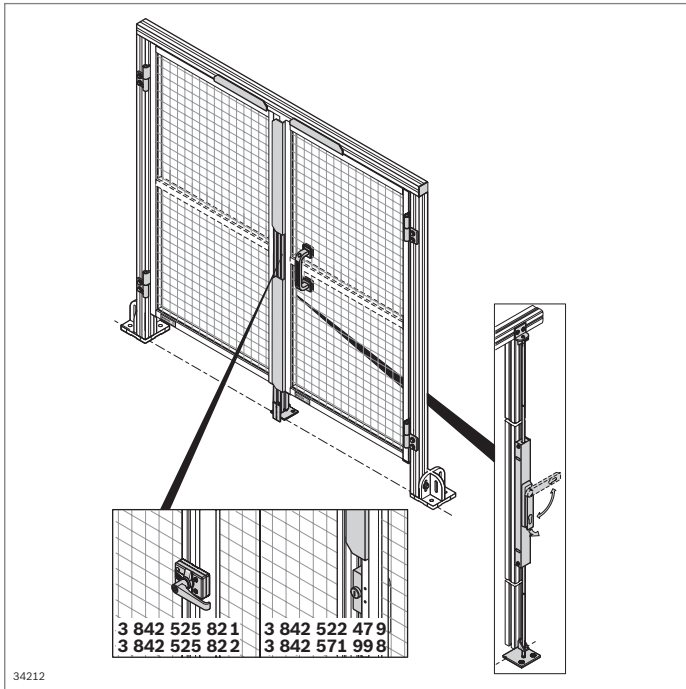
19663



19660

### Selection of suitable protective frames

Protective frame	H <sub>R</sub> (mm)	B (mm)	No.
Protective frame HF, galvanized	1850	1000	<b>3 842 567 947</b>
Protective frame HF, black	1850	1000	<b>3 842 567 951</b>
Protective frame HF, galvanized	1850	1500	<b>3 842 567 948</b>
Protective frame HF, black	1850	1500	<b>3 842 567 952</b>



## EcoSafe - Double door kit

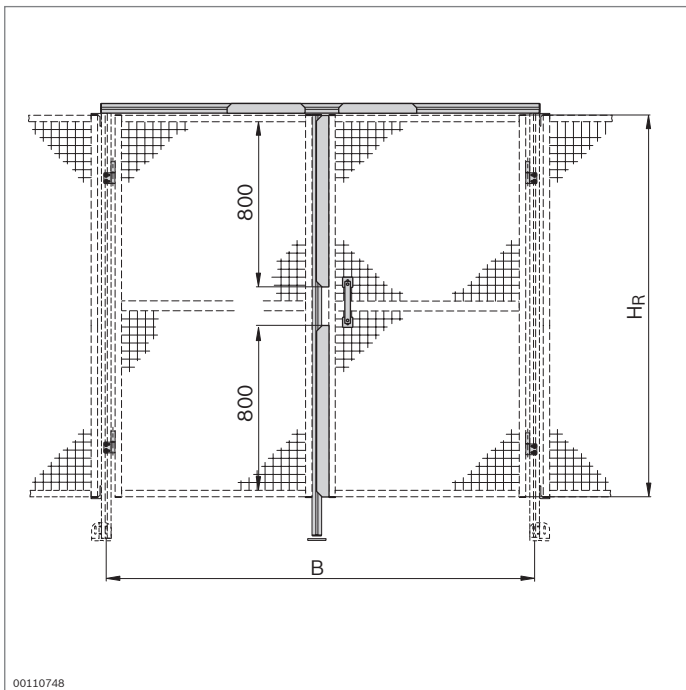
- ▶ Kit for setting up an EcoSafe double door
- ▶ Use of finished protective frame as a door
- ▶ Easy subsequent installation in a safety fence
- ▶ Optional installation of a standard lock cylinder in the lock mechanism for double door

### Required components:

- ▶ Double door kit
- ▶ Two protective frames
- ▶ Door locks

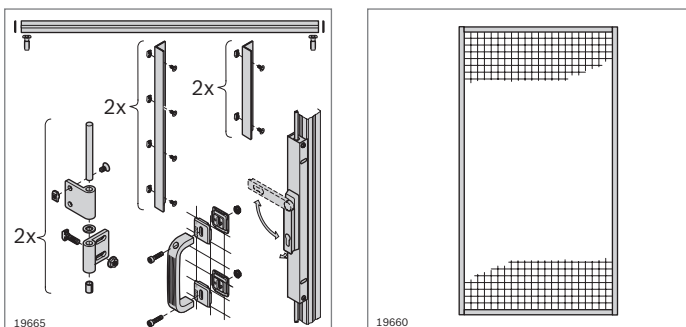
### Optional accessories:

- ▶ Door lock
- ▶ Adapter plate
- ▶ Attachment kit for safety switch
- ▶ Conventional lock cylinder 35/35 (is not included in the scope of delivery)
- ▶ Base plate 120x120 (3 842 527 553) with leg set from 45x90L profiles



Double door kit	H <sub>R</sub> (mm)	B (mm)	No.
	1850	1500	<b>3 842 525 781</b>
	1850	2000	<b>3 842 525 782</b>

Scope of delivery: Locking kit; Profile for door superstructure; Profile for door stop; 4 x hinges; bracket locking; Base plate; strap-shaped handle; 2 x horizontal stop bracket; 2 x vertical stop bracket; bar; fastening material



## Selection of suitable protective frames

Protective frame	H <sub>R</sub> (mm)	B (mm)	No.
Protective frame HF, galvanized	1850	750	<b>3 842 567 946</b>
Protective frame HF, black	1850	750	<b>3 842 567 950</b>
Protective frame HF <sup>1)</sup> , galvanized	1850	1000	<b>3 842 567 953</b>
Protective frame HF <sup>1)</sup> , black	1850	1000	<b>3 842 567 954</b>

<sup>1)</sup> horizontally divided

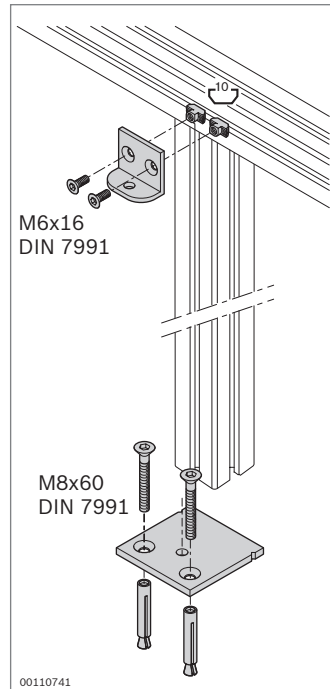
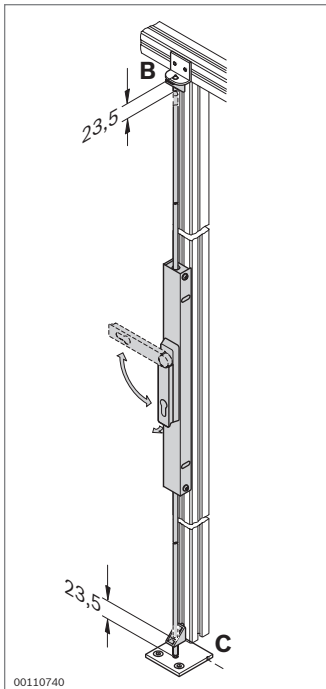
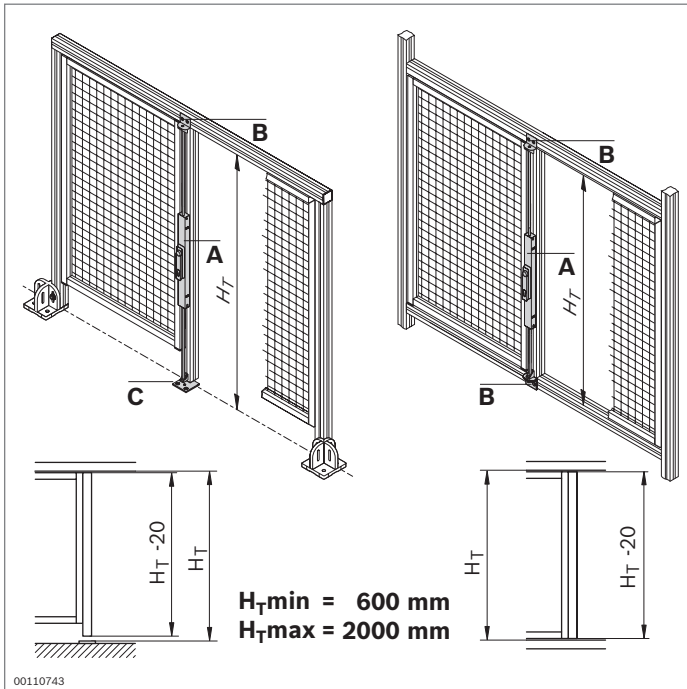
## Lock mechanism for double door



- ▶ Components for constructing a lock mechanism for double doors
- ▶ Optional installation of a standard lock cylinder in the lock mechanism for double door
- ▶ Kit (A) for individually designed double doors with  $H_T \text{max} = 2000 \text{ mm}$
- ▶ Lock bracket (B) for mounting the lock bolt bar
- ▶ Base plate (C) for mounting the lock bolt bar; fastened to the floor with supplied dowels. For doors which can be driven through

Optional accessories:

- ▶ Conventional lock cylinder 35/35 (is not included in the scope of delivery)



Lock mechanism assembly kit	No.
A	3 842 525 780

Material: Case: Aluminum; Door handle: PA, black; lock bolt: galvanized steel; bracket Latch guide: diecast zinc

Scope of delivery: lock mechanism for double door incl. fastening material

Lock bracket	No.
B	3 842 526 786

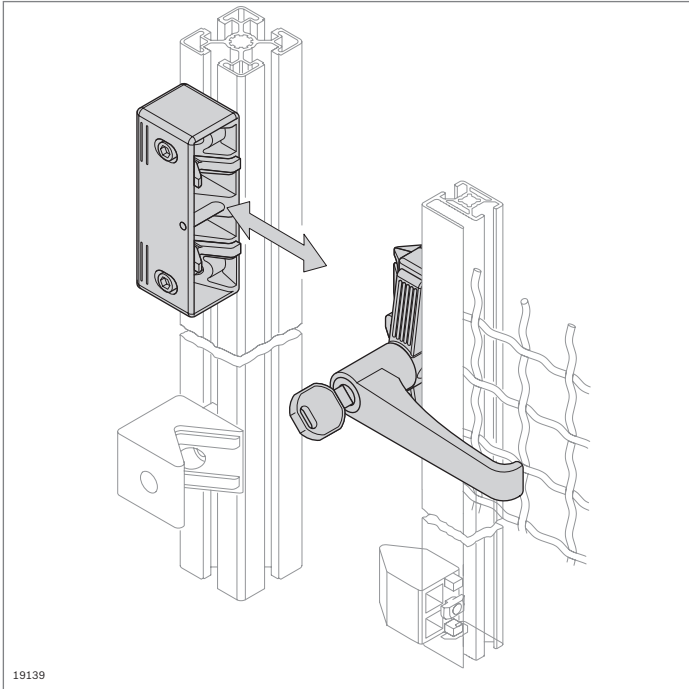
Material: aluminum, anodized

Scope of delivery: Incl. fastening material

Base plate	No.
C	3 842 526 787

Material: Base plate: stainless steel; floor dowel: galvanized steel

Scope of delivery: incl. fastening material 2x countersunk screw DIN7991-M8x60



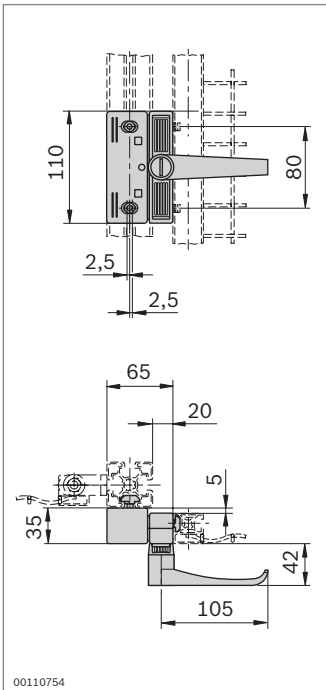
## Door lock for EcoSafe sliding doors



- ▶ Opening to the right and left
- ▶ "Standard locking" variant with random key selection (each lock has a different key)
- ▶ "Uniform locking" variant always has the same key

Optional accessories:

- ▶ Stop kit for cushioned closing of the door



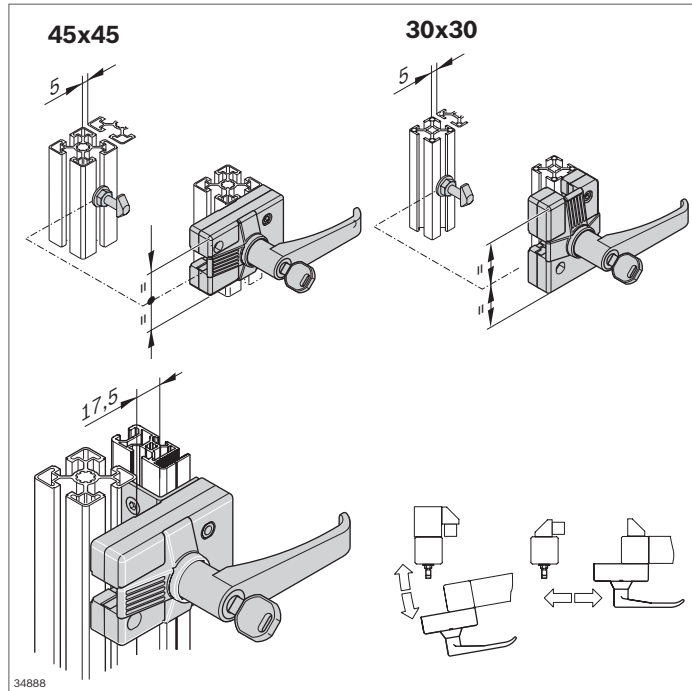
Door lock for sliding doors	No.
-----------------------------	-----

Standard locking	3 842 525 946
------------------	---------------

Uniform locking	3 842 525 947
-----------------	---------------

Material: Case: die-cast aluminum; Door handle: PA, black; cover cap: PA6; fastening material: steel, galvanized

Scope of delivery: Incl. 3 x key, fastening material



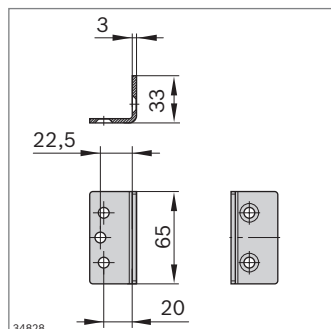
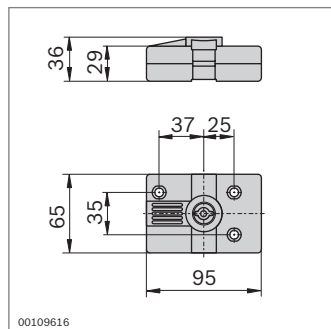
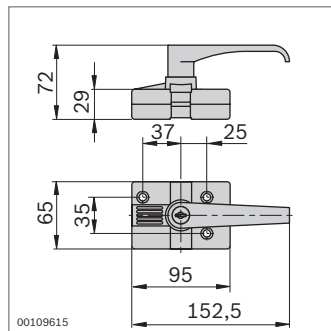
## Door lock for swing and sliding doors



- ▶ Opening to the right and left
- ▶ Suitable for profiles 45x45 and 30x30
- ▶ "Standard locking" variant with random key selection (each lock has a different key)
- ▶ "Uniform locking" variant always has the same key
- ▶ Version with door handle or a s two-way lock

Accessories:

- ▶ Adapter plate



Door lock		No.
Standard locking	30x30, 45x45	<b>3 842 525 821</b>
Uniform locking	30x30, 45x45	<b>3 842 525 822</b>

Material: Case: die-cast aluminum; Door handle: PA, black; fastening material: steel, galvanized

Scope of delivery: Incl. 3 x key, fastening material

Door lock		No.
	30x30, 45x45	<b>3 842 525 823</b>

Material: aluminum die-casting; fastening material: steel, galvanized

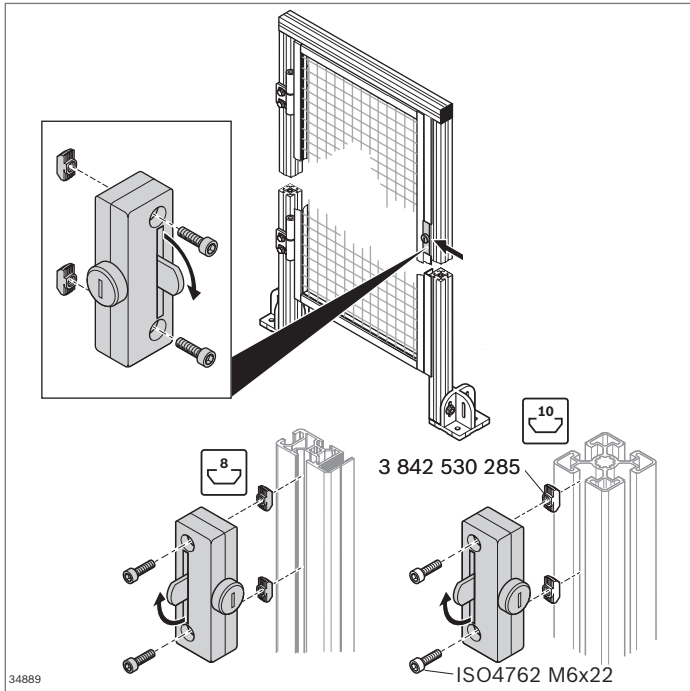
Scope of delivery: Incl. 1 x two-way key, fastening material

- ▶ With standard door lock for swing and sliding doors

Adapter plate EcoSafe PG	ESD	No.
		<b>3 842 567 960</b>

Material: steel, galvanized

Scope of delivery: Incl. fastening material



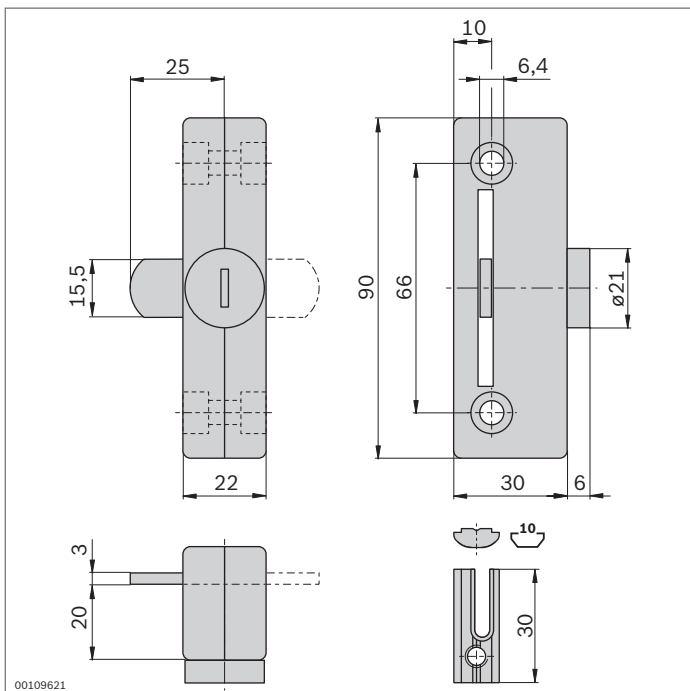
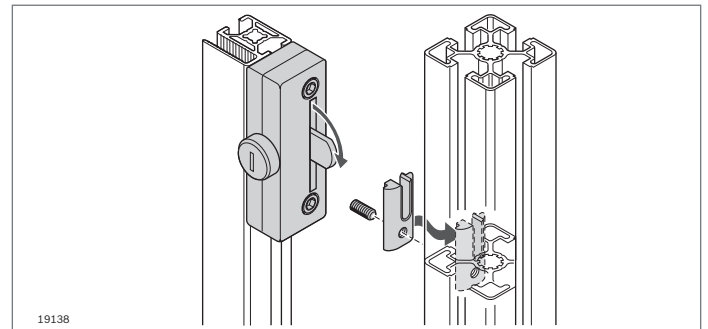
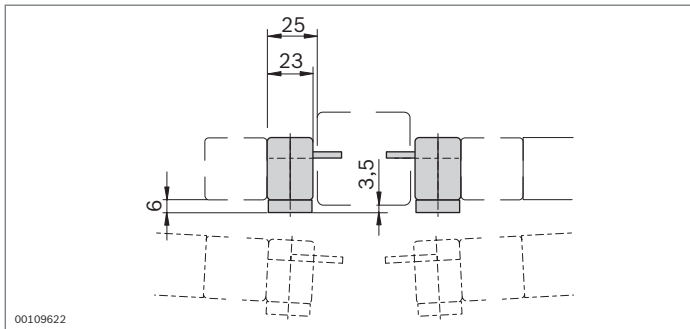
## Door lock



- ▶ Opening to the right and left
- ▶ For frame profile 30x30 WG (EcoSafe protective fence system); incl. fastening material
- ▶ "Standard locking" variant with random key selection (each lock has a different key)
- ▶ "Uniform locking" variant always has the same key

Accessories for assembly on profile with 10 mm slot:

- ▶ 2 x T-nut M6, 3842530285
- ▶ 2 x screw ISO4762 M6x22



Door lock	No.
Standard locking	3 842 522 479
Uniform locking	3 842 571 998

Material: diecast zinc; fastening material: galvanized steel

Scope of delivery: Incl. 3 x key, fastening material

## Door lock "Multi Use" for swing and sliding doors



- ▶ Opening to the right and left
- ▶ For numerous profile combinations
- ▶ "Standard locking" variant with random key selection (each lock has a different key)
- ▶ "Uniform locking" variant always has the same key
- ▶ Version with door handle or a s two-way lock
- ▶ Covered fastening screws
- ▶ Differing gap measurements for doors <400 mm with modular dimensions up to 45 mm and < 600 mm for modular dimensions of 50 mm (see assembly instructions 3842554184)
- ▶ Without profile finishing

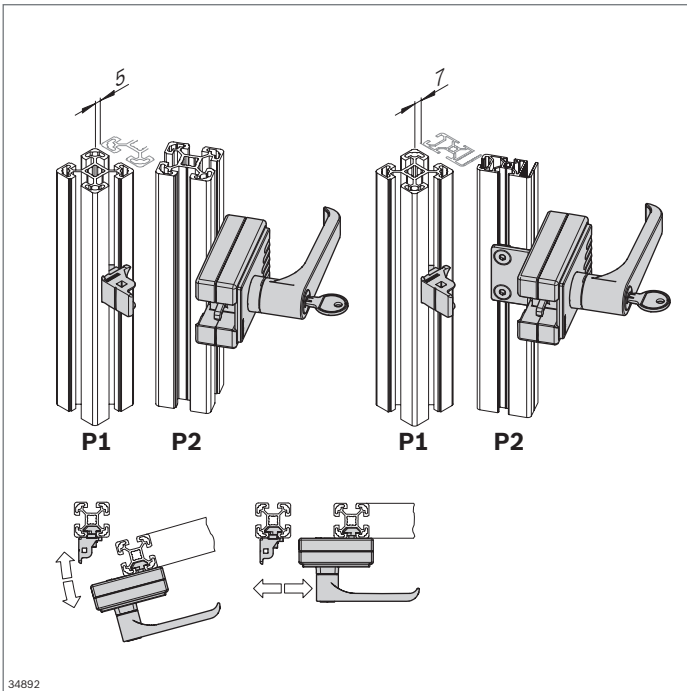
Optional accessories:

- ▶ Adapter plate

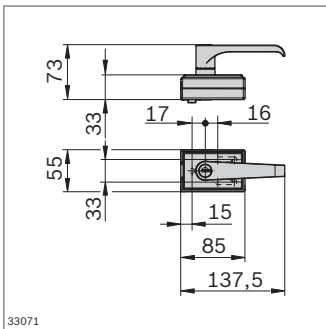
Door lock "Multi Use" for swing and sliding doors	No.
Standard locking	<b>3 842 548 971</b>
Uniform locking	<b>3 842 548 970</b>

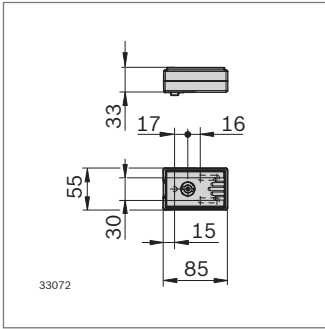
Material: Case: diecast zinc; Door handle : PA6, black; Cover: PP, signal gray RAL 7004; fastening material: Steel, galvanized

Scope of delivery: incl. 3x key; fastening material



P1	P2	P2	P2	P2	P2
45	22.5x45	WG30/40	30	40	45





**Door lock "Multi Use" for  
swing and sliding doors**

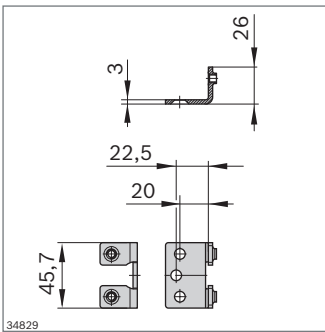
**No.**

Two-way lock

**3 842 548 965**

Material: Case: diecast zinc; Cover: PP, signal gray RAL 7004; fastening material: Steel, galvanized

Scope of delivery: incl. 1x two-way key, fastening material



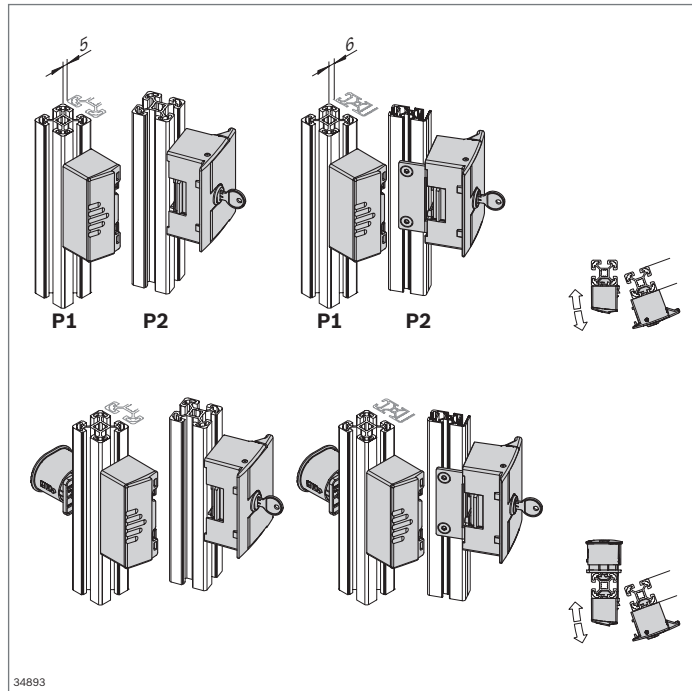
**Adapter plate Multi Use EcoSafe PG ESD No.**



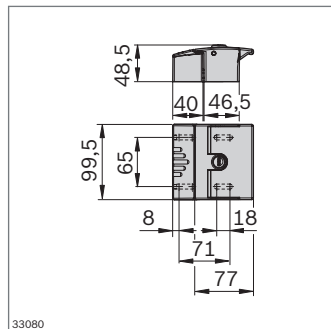
**3 842 567 961**

Material: steel, galvanized

Scope of delivery: Incl. fastening material



<b>P1</b>	<b>P2</b>	<b>P2</b>	<b>P2</b>	<b>P2</b>	<b>P2</b>
45	22.5x45	WG30/40	30	40	45



## Door lock "Compact" for swing doors



- ▶ Opening to the right and left
- ▶ For numerous profile combinations
- ▶ "Standard locking" variant with random key selection (each lock has a different key)
- ▶ "Uniform locking" variant always has the same key
- ▶ Covered fastening screws
- ▶ Installation of an emergency opening mechanism for unlocking from inside in emergency possible (Gap measurements according to assembly instructions 3842554192)
- ▶ Without profile finishing

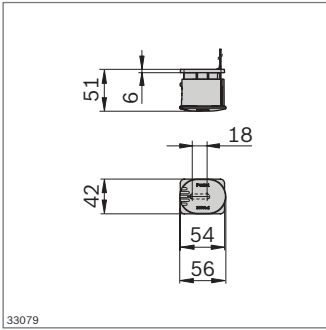
Optional accessories:

- ▶ Adapter plate
- ▶ Emergency unlocking

Door lock "Compact" for swing doors	No.
Standard locking	<b>3 842 553 640</b>
Uniform locking	<b>3 842 553 639</b>

Material: Case: die-cast aluminum; C over: PP, signal gray RAL 7004; fastening material: steel, galvanized

Scope of delivery: Incl. 2x key; fastening material

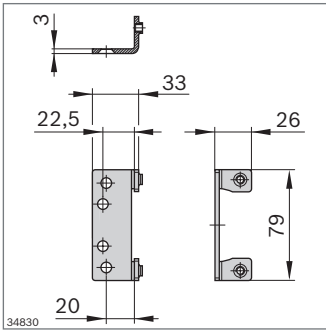


- For emergency opening of the "Compact" door lock from the inside in its locked state

Emergency unlocking	No.
Compact	<b>3 842 554 134</b>

Material: Case: diecast zinc; Cover: PP, signal gray RAL 7004; fastening material: Steel, galvanized

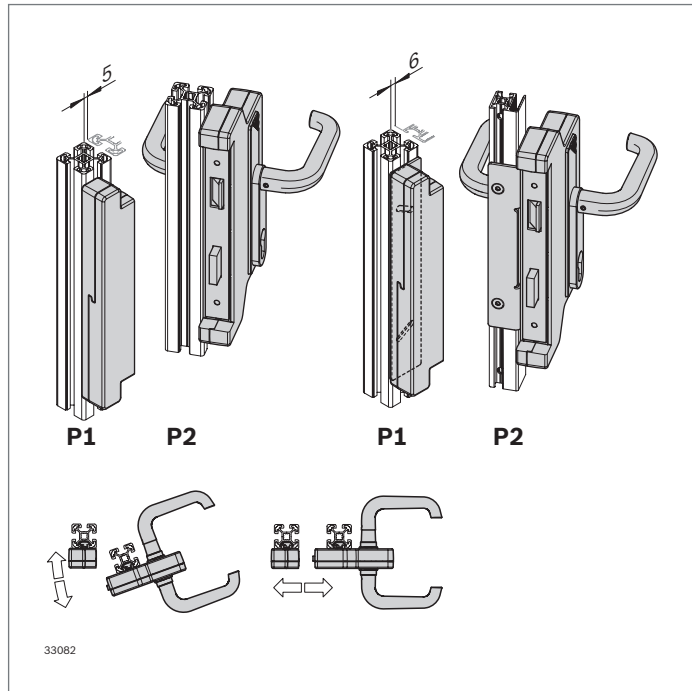
Scope of delivery: Incl. 1x two-way key, fastening material



Adapter plate Compact EcoSafe PG	ESD	No.
		<b>3 842 567 962</b>

Material: steel, galvanized

Scope of delivery: Incl. fastening material



## Chamber Lock for swing and sliding doors

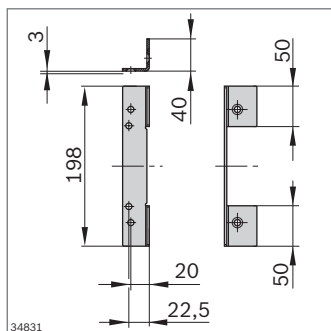
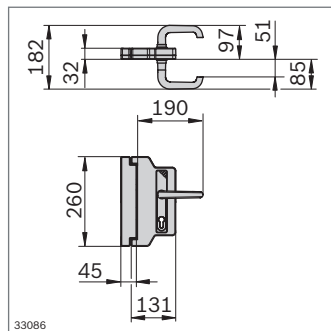


- ▶ Opening to the right and left
- ▶ For numerous profile combinations
- ▶ For installation of a standard lock cylinder (not included in the scope of delivery)
- ▶ Version with door handle, can be opened from inside and outside
- ▶ Without profile finishing
- ▶ Covered fastening screws

Optional accessories:

- ▶ Adapter plate
- ▶ Lock cylinder

P1	P2	P2	P2	P2	P2
45	22.5x45	WG30/40	30	40	45



Chamber lock	No.
Sliding door	<b>3 842 554 151</b>
Swing door	<b>3 842 554 150</b>

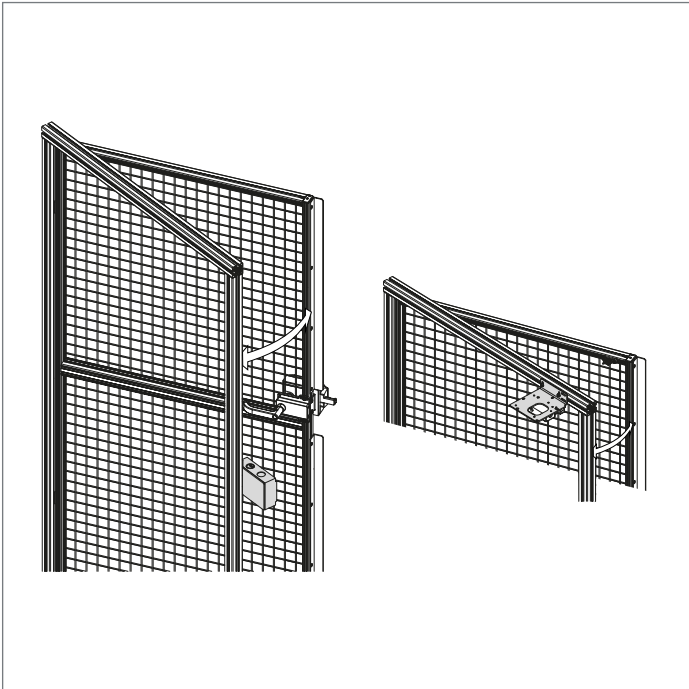
Material: Case: PA6 signal gray (RAL7004); Door handle: Anodized aluminum; fastening material: Galvanized steel; Disk: Aluminum

Scope of delivery: Incl. fastening material

Adapter plate Compact EcoSafe PG	ESD	No.
		<b>3 842 567 963</b>

Material: steel, galvanized

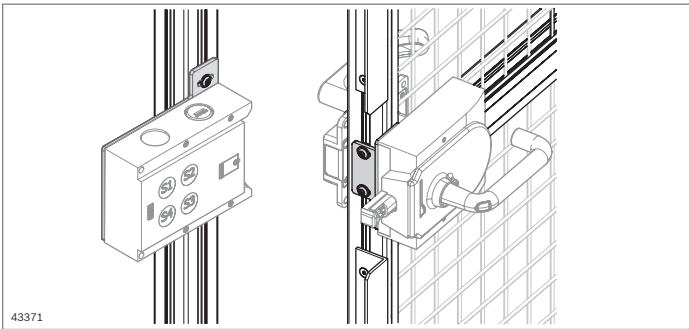
Scope of delivery: Incl. fastening material



### Attachment kits



- For installing standard commercially available safety switches on EcoSafe system doors

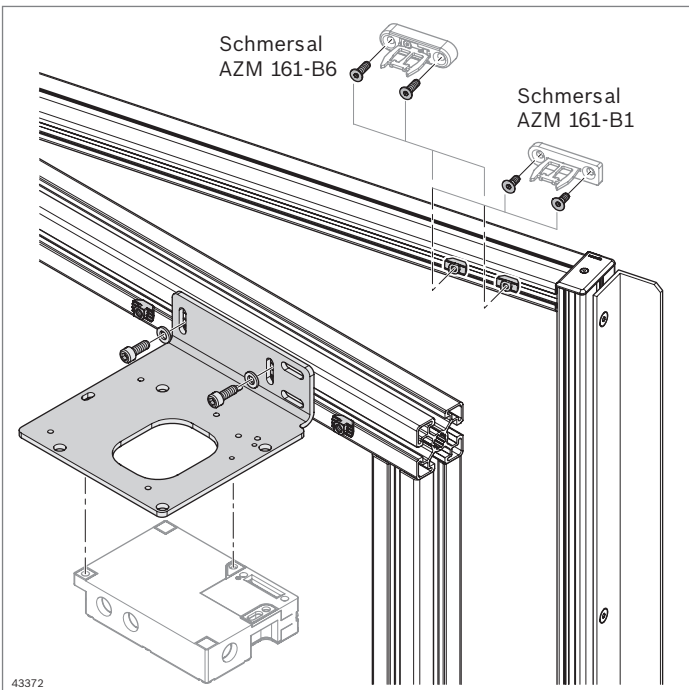


- Adapter plate for attachment of Euchner MGB and MGB2 switches
- Attention: Attachment plate of Euchner needed for assembly. Order data: MGB-A-Mountingplate-L article number: 109490

Attachment kit Safety Switch PG T4	ESD Slot	No.
	⚠ 10/8	<b>3 842 567 404</b>

Material: steel, galvanized

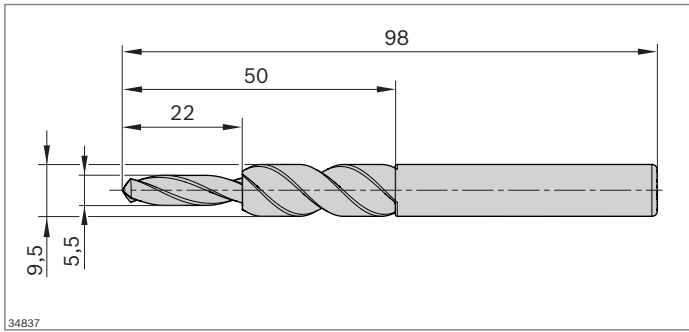
Scope of delivery: Incl. fastening material



Attachment kit for safety switch		No.
For safety switch	For actuator	
Euchner TZ...	024298; 024299	<b>3 842 522 476</b>
Schneider Electric XCS - LE/ LF...	XCS-Z03	
Schneider Electric XCS - TE...	XCS-Z13	
Schneider Electric XCS - PA...	XCS-Z13	
Schmersal AZM161...	AZM161-B1; AZM161-B6	

Material: steel, galvanized

Scope of delivery: Incl. adapter plate, bracket, incl. fastening material

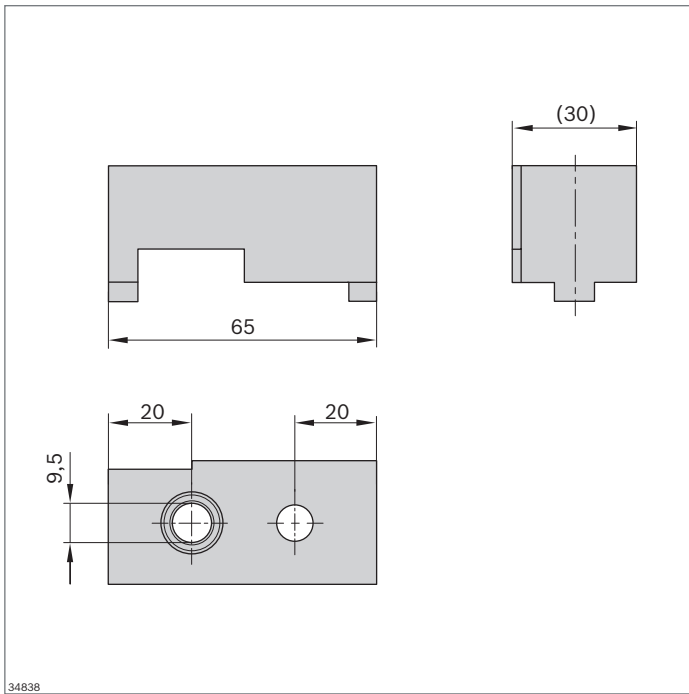


**Step drill**

- ▶ Step drill M5x5.5 - 9.5x22
- ▶ For the production of stepped bores for connecting direct panels on the strut profile 45x45(L)
- ▶ Efficient production of through holes with flat countersink for screws

Step drill DF	No.
	<b>3 842 567 968</b>

Material: Steel, coated by chemical vapor deposit

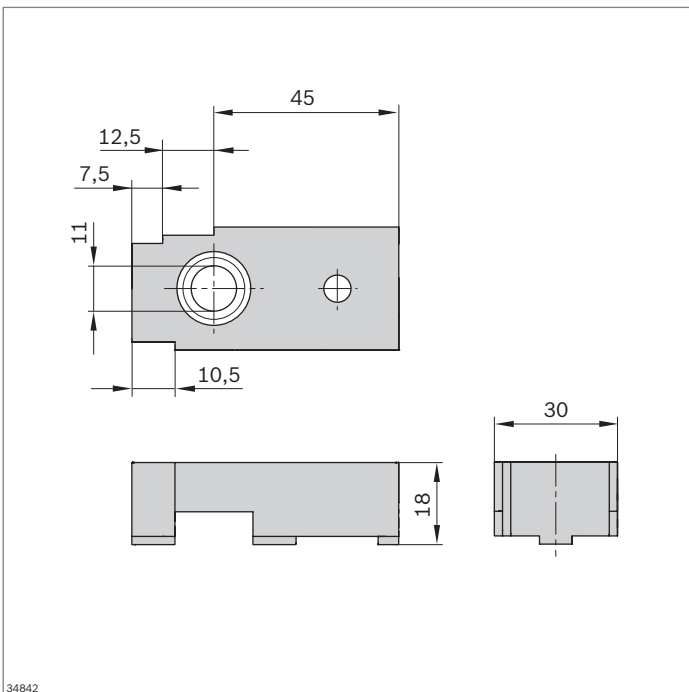


**Drilling jigs**

- ▶ Drilling jig for stepped bore for fastening a frame profile 22.5x45 to a strut profile 45x45(L)
- ▶ Stop surfaces and edges for precise positioning
- ▶ Stepped bore D5.5-9.5

Drilling jig EcoSafe DF	Slot	ESD	No.
	10		<b>3 842 567 969</b>

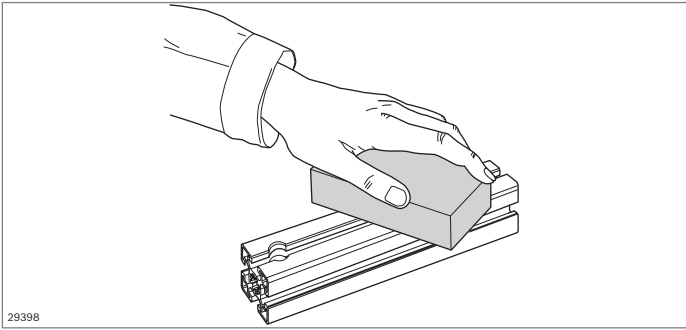
Material: base body: Anodized aluminum; Drill bush: Hardened steel; fastening material: Galvanized steel



- ▶ Drilling jig to establish the corner connection of protective frame of frame profile 22.5x45
- ▶ For standard step drill according to DIN1897 (180 degrees, M6, L=195 mm, L1=15 mm, Ds: 11.0)

Drilling jig EcoSafe PG	Slot	No.
	8	<b>3 842 567 976</b>

Material: base body: Aluminum, anodized; Drill bush: Hardened steel; clamping lever: Steel, burnished

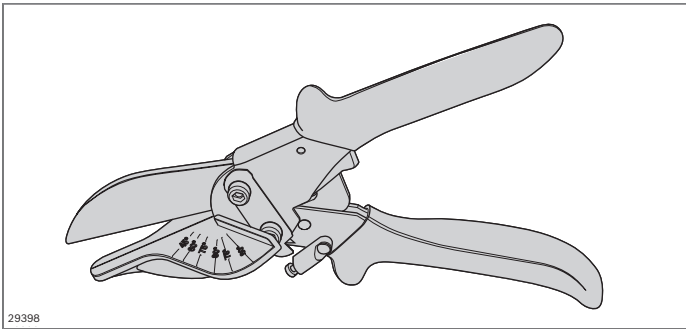


### Flexible grinder for anodized surfaces

- ▶ Hand grinder for removing light soiling and minor scratches
- ▶ Handy grindstone made of flexible base material containing abrasive agents
- ▶ Long service life thanks to automatic, continual surface renewal, like an eraser
- ▶ Suitable for all natural-colored, anodized surfaces, e.g. also for aluminum windows and doors

Flexible grinder for anodized surfaces	No.
	3 842 518 650

Material: Silicon carbide 60%, polyurethane 40%



### Miter cutter

- ▶ For cutting plastic profiles to length, e.g. groove cover profiles

Miter cutter	No.
	3 842 547 982



# IT'S ALL ABOUT THE SERVICE

## **Long service life and rapid response.**

Our goal is for you to benefit from your Bosch Rexroth solutions for as long and efficiently as possible. For all products in our current portfolio, but also for a period of up to ten years beyond the active sales phase, the availability of spare parts, repairs and technical support is guaranteed in our standard. Thereafter, we offer further support during an extended service phase. In many cases, this enables machine running times of more than 25 years, which are also secured through service agreements.

Our extensive service network comprising over 200 locations in 80 countries ensures a rapid response at all times.

## **Original quality for maximum durability.**

The Bosch Rexroth repair service analyzes, repairs and optimizes Bosch Rexroth components in guaranteed OEM quality. We use only new, original spare parts for repairs. As a result, the average lifespan of our repaired products is 5 times longer than with other workshops. In addition, our scalable material warranty can be extended up to 60 months.

You simply inform us about the urgency of the repair and provide the product type or serial number. You can then choose between a repair, REMAN or replacement service.

## Immediate assistance at the press of a button.

In the event of a malfunction, you require help in a hurry. Our Digital Service Assistant (DSA) puts the solution in your hands. Open the DSA on your mobile device to gain easy, 24/7 access to our entire range of services. The app is available in your local language and allows you to identify the relevant product via a code scanner. You can also request services, such as a repair, using the app. You will then receive a non-binding offer within one hour (7 a.m. to 5 p.m. CET). The collect and delivery service is available free of charge for components weighing up to 40 kg.

## 24/7 emergency support.

We know our technologies inside out. That is why we find the right solution as quickly as possible. Our repair service and hotline are available to you round the clock. They offer free technical support – from initial troubleshooting to dispatching a service specialist. You have the choice between standard, priority or emergency rush repair service.

## Predictive.

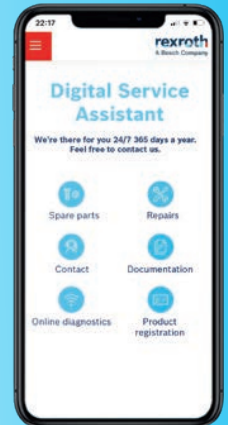
To ensure that you can act instead of react, we offer you predictive services, such as preventive maintenance based on the product-specific history. And not just for our current product range: We have all global repair and delivery data on hand so that your system can continue to perform at its best, year after year. We support you by:

- ▶ Analyzing product availability
- ▶ Defining the best time for preventive maintenance
- ▶ And much more

## TOGETHER WE WILL FIND THE PERFECT SOLUTION FOR YOU

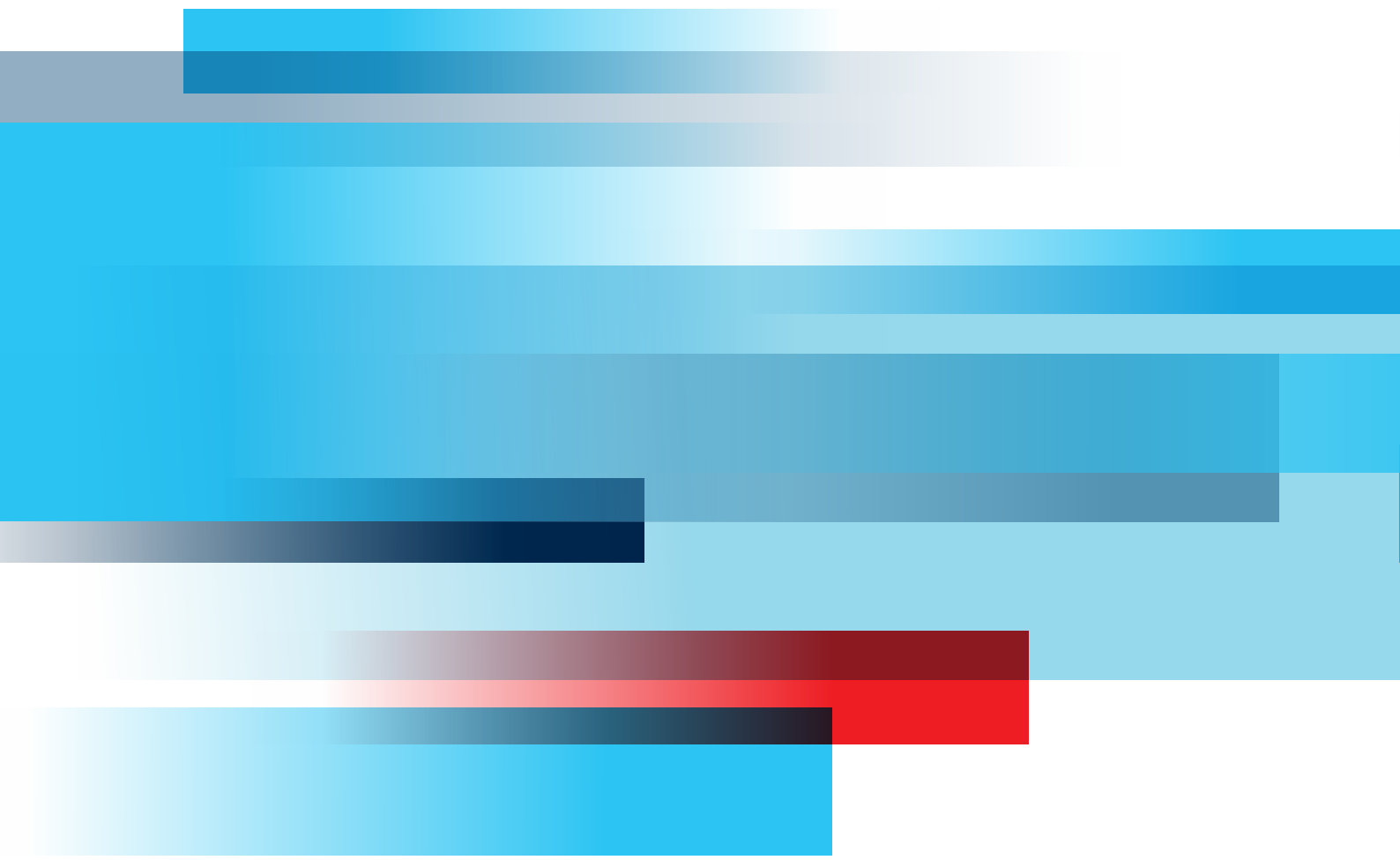
- ▶ **Repair of the faulty product, according to manufacturer specifications**
- ▶ **Replacement: Where available, you replace the faulty product with a refurbished original with full manufacturer warranty. This service also helps to protect resources and reduces costs.**

## Download today



## Contact our 24/7 service hotline

+49 93 52 40 50 60  
service.AT@boschrexroth.de



The data specified within only serve to describe the product. As our products are constantly being further developed, no statements concerning a certain condition or suitability for a certain application can be derived from our information. The information given does not release the user from the obligation of own judgment and verification. It must be remembered that our products are subject to a natural process of wear and aging.

R999002399 (2024-08)

© Bosch Rexroth AG 2024

Subject to change without notice!

**Bosch Rexroth AG**

Postfach 30 02 07  
70442 Stuttgart  
Germany

**Evolution Motion Solutions**

13835 Senlac Dr, Farmers Branch, TX 75234  
800-569-9801  
[www.evolutionmotion.com](http://www.evolutionmotion.com)

[www.boschrexroth.com](http://www.boschrexroth.com)

**rexroth**  
A Bosch Company