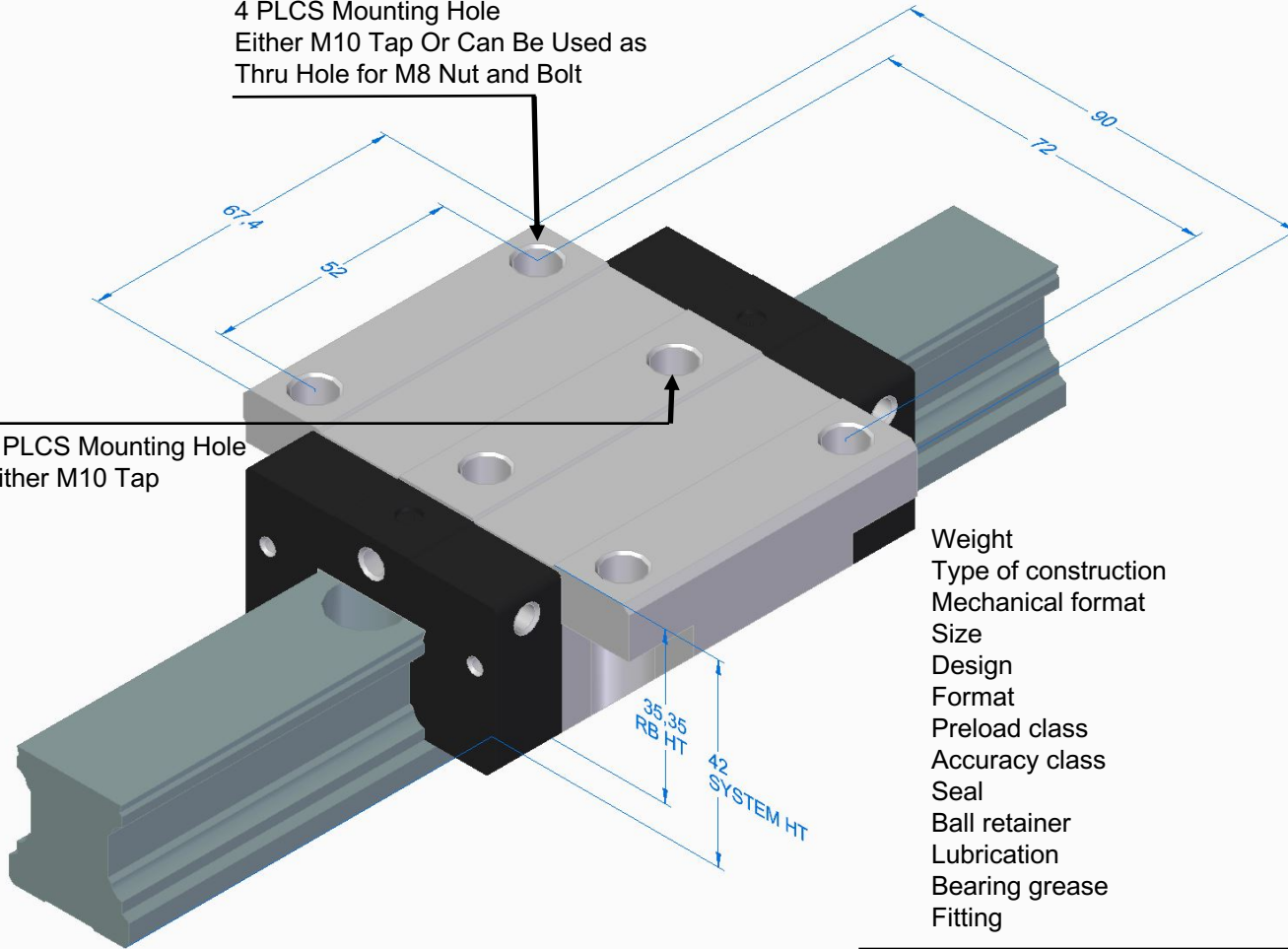


4 PLCS Mounting Hole
Either M10 Tap Or Can Be Used as
Thru Hole for M8 Nut and Bolt



2 PLCS Mounting Hole
Either M10 Tap



| | |
|----------------------|--------------------------------------|
| Weight | 1.10 kg |
| Type of construction | FW runner block |
| Mechanical format | KWD Ball runner block |
| Size | 30 |
| Design | FNS Flanged, normal, standard height |
| Format | CS Carbon steel |
| Preload class | C0 without preload |
| Accuracy class | N Normal |
| Seal | SS Standard seal |
| Ball retainer | 0 Without ball retainer |
| Lubrication | 01 Prelubricated, preserved |
| Bearing grease | S1 Dynalub 510 |
| Fitting | M6X8 |

10 MILLION METER RELUBRICATION SCHEDULE

| <u>RATINGS</u> | <u>ENGLISH</u> |
|--|----------------|
| 36,500 N Basic Dynamic Capacity | 8,205 lbs |
| 48,100 N Static Capacity | 10,813 lbs |
| 630 Nm Roll Moment Dynamic Capacity | 465 ft-lbs |
| 830 Nm Roll Moment Static Capacity | 612 ft-lbs |
| 440 Nm Pitch/Yaw Moment Dynamic Capacity | 325 ft-lbs |
| 580 Nm Pitch/Yaw Moment Static Capacity | 428 ft-lbs |

Bosch Rexroth BSHP Ball Rail Runner Block
KWD-030-FNS-CS-C0-N-SS-0-01-S1-00-BX-LS-000-RS-000-01
PN: 1651-794-20



UNITS : mm

www.evolutionmotion.com