

Connectivity

BCC – 4-wire - PUR-single ended cable black – unshielded (Configurable)

# BALLUFF



BCC abcd-0000-ef-ggg-hijkl-mmm-nnnn

**BCC**  
Cable / Connector

**a Union nut material**  
M = Nickel plated brass

**b Connector size**  
4 = M12

**c Connector style**  
1 = straight  
2 = right-angle

**d Number of visible contacts**  
4 = 4 Pins  
5 = 5 Pins

**e male/female**  
1 = Female  
2 = Connector

**f Coding**  
A = A-coded

**ggg Wiring**  
003 = no LED  
008 = 2xPNP-LED  
010 = 3xPNP-LED

**h Jacket material**  
P = PUR

**i Specification**  
X = unshielded

**j Jacket color**  
0 = black

**k Number of conductors**  
4 = 4 conductors

**l Wire gauge**  
34 = 0.34 mm<sup>2</sup>

**mmm Cable length**  
Examples:  
1D5 = 15 cm  
001 = 10 cm  
010 = 1 m  
100 = 10 m  
10X = 100 m

**nnnn Special version**  
- = none  
C003 = 1x labeling sleeve

**Electrical connection**

Material grip	PUR
Number of conductors	4

**Environmental conditions**

Cable temperature UL max., fixed routing	80 °C
Cable temperature UL max., flexible routing	80 °C
Cable temperature, drag chain	-25 °C...60 °C
Cable temperature, fixed routing	-50 °C...90 °C
Cable temperature, flexible routing	-25 °C ...90 °C
IP rating	b = 4: IP67, IP68, IP69K

**Material**

Cable jacket, material	PUR
Cable shield	no
Material contact carrier	PUR
Material contacts	Female: Bronze Male: Brass

**Mechanical data**

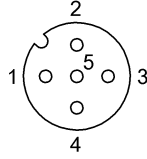
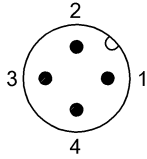
Acceleration max., drag chain	5 m/s <sup>2</sup>
Bending radius min., fixed cable	5 x D
Bending radius min., flexible cable	10 x D
Cable diameter D	4.70 mm
Cable diameter, tolerance	±0.20 mm
Cable properties	drag chain compatible
Horizontal travel permitted, drag chain	5 m
Operating voltage Ub	b = 4 und ggg = 003: 250 VDC / 250 VAC b = 4 und ggg ≠ 003: 30 VDC
Rated current (40 °C)	4.0 A
Tightening torque pigtail	b = 4: 0,6 Nm
Traverse speed max., drag chain	200 m/min
Vertical travel permitted, drag chain	5 m

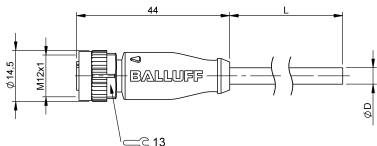
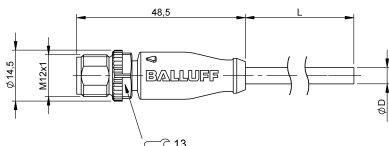
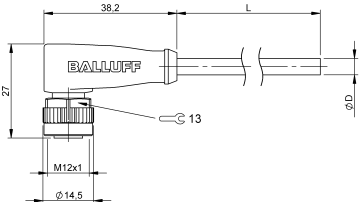
**Remarks**

Cable structure according to UL-AWM Style 20549

Halogen free according to DIN VDE 0472 Part 815 Silicone free

Flame retardance according to UL FT2 IP rating according to IEC 60529 or ISO 20653, only when screwed on with the corresponding counterpart

Connector Diagramm	
	<p>M12 Female</p>  <p>PIN 1: brown                  PIN 2: white                  PIN 3: blue                  PIN 4: black</p>
	<p>M12 male</p>  <p>PIN 1: brown                  PIN 2: white                  PIN 3: blue                  PIN 4: black</p>

Product View	
<p>M12 female straight</p> 	<p>M12 male straight</p> 
<p>M12 female angled</p> 	<p>M12 male angled</p> 