

### Basic features

Application	Ethernet, CAT 6A
Approval/Conformity	CE cULus WEEE

### Electrical connection

Bending radius min., fixed cable	4 x D
Bending radius min., flexible cable	8 x D
Cable	PUR Shielded Green, 5 m
Cable diameter D	6.20 mm ±0.20 mm
Cable, bending cycles min.	1 mil.
Cable, note	Ethernet, CAT 7 by IEC 60332-1
Conductor cross-section	26 AWG
Connection 1	M12x1-Male, straight, 8-pin, X-coded
Connection 2	RJ45-Male, straight, 8-pin
Number of conductors	8
System	Molded/Molded
Torsion stress, cable	1 million cycles (+/-180°/m)

### Electrical data

Conductor construction	4x2 twisted-pair
Conductor resistance	≤ 145 Ohm/km at 20 °C
Coupling resistance max.	1Ω /m at 100 MHz
Isolation resistance	≥ 150 MΩhm x km at 20 °C
Operating capacitance	nom. 46nF/km at 1kHz
Operating voltage Ub	60 VDC / 50 VAC
Rated current (40 °C)	0.5 A
Surge impedance	100 Ohm ±22 Ohm at 100 MHz
Transfer rate	10 Gbit/s

### Environmental conditions

Cable temperature, fixed routing	-40...80 °C
Cable temperature, flexible routing	-30...70 °C
IP rating	IP67/IP20

### Material

Cable jacket material, note	Shielded
Cable jacket, material	PUR
Cable shield	Aluminum foil and copper braid
Material contact carrier	PA/PVC
Material contacts	Brass/Brass
Material cover nut	Brass nickel-plated
Material grip	PUR/PVC

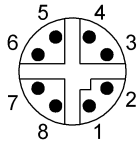
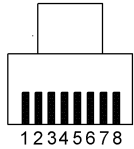
### Mechanical data

Acceleration max., drag chain	4 m/s <sup>2</sup>
Cable jacket, color	Green
Cable length L	5.00 m
Tightening torque pigtail	0.6 Nm/-
Traverse speed max., drag chain	4 m/s

Remarks

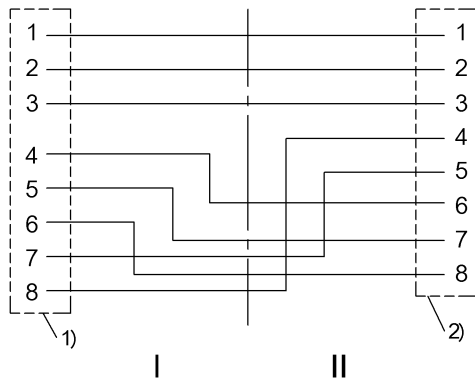
Flame resistance acc. to IEC 60332-1  
 Enclosure rating per IEC 60529 or ISO 20653, only in screwed state with the associated mating piece.

Connector Drawings



II	I
PIN 1: white	PIN 1: white
PIN 2: orange	PIN 2: orange
PIN 3: white	PIN 3: white
PIN 4: blue	PIN 4: green
PIN 5: white	PIN 5: white
PIN 6: green	PIN 6: brown
PIN 7: white	PIN 7: white
PIN 8: brown	PIN 8: blue

Wiring Diagrams (Schematic)



- 1) Shield on cover nut
- 2) Shield on housing